



ANCHOR PRODUCTS®
Connections That Last

The U2600-SBS is a lightweight rooftop attachment system that is leak-proof by design. It is accepted by major roofing manufacturers and is included in their warranties. The U-Anchor membrane is matched to any SBS roof, manufacturer, and color, making it versatile for any rooftop project.

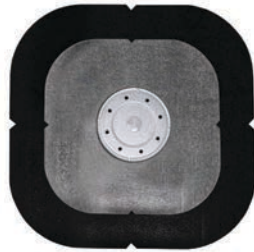


U-ANCHOR®

U2600-SBS



Front



Back

Product Description

The U2600-SBS is a lightweight rooftop attachment system consisting of a U-Anchor 2000 Series plate and cover membranes. The U2600-SBS includes two factory prepared SBS cover membranes and separator disk. The U2600-SBS provides a positive, watertight, manufacturer accepted attachment for cold/hot applied roofing systems. The U2600-SBS secures rooftop equipment quickly, safely, and effectively.

U-Anchor Advantages

- Extremely strong
- Lightweight 24 oz.
- Fast installation – installs in less than five minutes
- Can be installed on any surface from flat on the roof or vertical on a parapet wall
- Completely watertight when installed properly

Equipment Attachment

- The U2600-SBS is attached by fastening through the roofing assembly into the structural decking with 2-8 approved fasteners. The membrane is then adhere per the roofing manufacturer's specified methods. Depending on the roofing manufacturer's requirements, 1 or 2 plies of membrane may be required.*
- To securely mount your rooftop equipment to the U-Anchor, after it is installed, the connection nut must be fastened to approximately 20-25 lbf-ft. Use a calibrated torque wrench during the installation to ensure appropriate results are achieved. Excessive torque may damage the U-Anchor.
- **Material Compatibility:**
The U-Anchor bolt is stainless steel and all attachments provided by Anchor Products are tested as a system and designed to be compatible. Refer to installation instructions and the specified roofing material manufacturer requirements before installing.

**(2 ply shown, 1 ply available, upon request)*

Manufacturer's Warranty

- **Anchor Products Warranty**
Standard 20-Year Limited Material Only Warranty



ANCHOR PRODUCTS®
Connections That Last



ANCHOR PRODUCTS®

Connections That Last

Make the right choice for rooftop attachments with the U-Anchor. It's a one-of-a-kind attachment for commercial rooftop equipment securement.



Codes & Approvals



FM 4481 - Anchors for roof mounted equipment
FM Approval with selected membranes

Testing

- Results are based on plate performance only. Ultimate Load - Shear: 4293 lbs. Ultimate Load - Tension: 2712 lbs.
- Tested in accordance with FM 4481 Section 4.1 over 1/2" Steel. Assembly specific results may vary. Please contact Anchor Products® directly for additional testing results and information.
- The shear value is obtained by testing at the base of the bolt. Account for the moment force of any attachment that increases the height of the connection point.

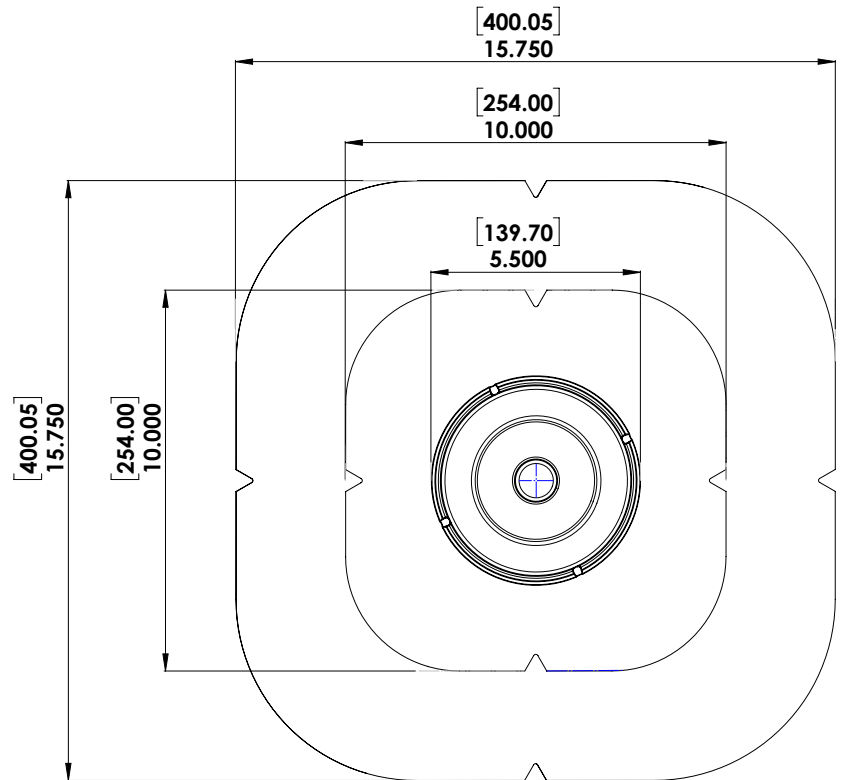
Product Specs

- **Bolt**
3/8"-16 x 1-3/8" Bolt*
Material Type: 304 Stainless Steel
- **Plate**
Diameter: 5.5"
Fastener Hole Diameter: 0.265" (8 holes)
Fastener Hole Pattern: 4.125" Diameter
Material Thickness: 0.047" (1.194mm)
Material Type: G90 Galvanized Steel
- **Cover Membrane**
Manufacturer: Brand and Non-Brand Specific
Color: White (Other colors available)
Length: 15.75" Width: 15.75"
Thickness: Approx. 200 mils
- **Patents**
Visit www.anchorp.com/resources/patents

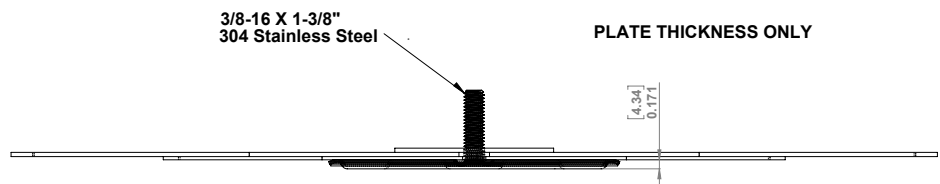
Packaging Specs

- Sold Individually OR Full Box Quantity
- Individual Weight: Approx. 2.5 lbs.
- Full Box Quantity: 10 units
- Box Weight: Approx. 28.7 lbs.
- Box Dimensions: 17" x 17" x 5"
- Full Pallet Quantity: 20 boxes
- Pallet Dimensions: 40" x 48" x 28"

U2600-SBS Dimensional Drawing



(2 ply shown, 1 ply available, upon request)



Click Here



[For Warranty Information](#)



Call Us Now!
888-575-2131

anchorp.com

*Specified bolt option is standard. Custom options may be available for additional charge. Lead times may apply depending on roofing manufacturer and product availability.