



**ANCHOR
PRODUCTS®**
Connections That Last



Solutions Guide 

The U-Anchor® Story



The U-Anchor is a proven solution for attaching rooftop equipment with less time and labor while remaining leak-proof. The U-Anchor is Compression-Free™ and is easily installed in less than three minutes using traditional roofing practices. Because of its flat seamless design, it becomes a part of the roofing system. It is fabricated using brand specific material from major roofing manufacturers and is the only attachment included in their warranties. The U-Anchor meets any project's needs and code requirements with multiple solutions that perfectly fit any rooftop equipment application.



**ANCHOR
PRODUCTS®**
Connections That Last



The U-Anchor® Difference

The U-Anchor makes a difference in the quality of rooftop securement. It is a one-of-a-kind, Compression-Free™ attachment that is watertight, durable, FM Approved, and included in the major manufacturers' warranty. The versatility of the U-Anchor is unmatched. It can be customized to match the manufacturers' roof brand, roof type, and color for any project.

"The U-Anchor is the best innovation in at least a decade. There has not been anything more important to the industry since Rhino Bond."
- Christopher B.



*Snow Retention Solution,
protecting what lies below.*





U-Anchors used
for stadium signage
attachment

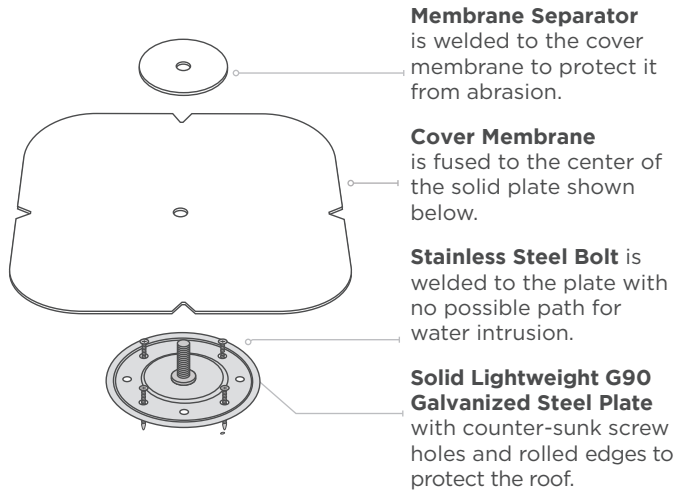
Total Rooftop Solutions:

- Mechanical
- Plumbing
- Electrical
- HVAC
- Refrigeration
- Exhaust & Ventilation
- Communication
- Advertisement
- Lighting
- Cameras
- Solar
- Access
- Fall Protection
- Snow Retention
- Equipment Screens
- Lightning Protection

THE U-ANCHOR® UNIQUE PATENTED DESIGN

The U-Anchor is available in four different series; each with its own plate, along with a variety of membranes to match the roof to which the accessories are being attached. All commercial roof types are available to match Single Ply, Bituminous, and Liquid Applied rooftops.

ANATOMY OF THE U-ANCHOR

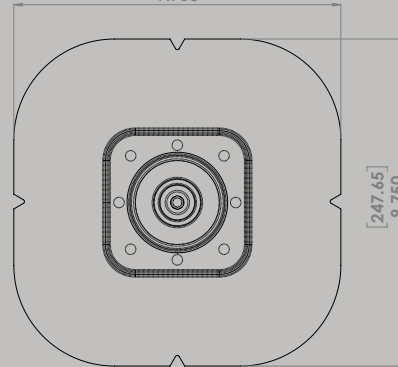


U1000 SERIES

4.5 x 4.5 Galvanized Steel Plate



[247.65]
9.750



3/8" - 16 x 1 1/2"
304 Stainless Bolt

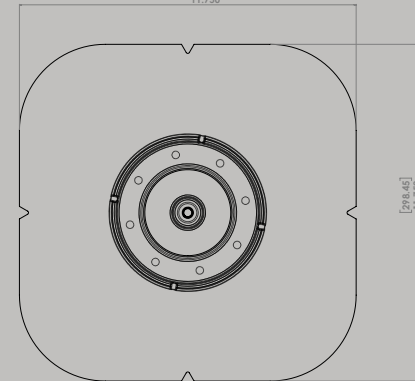


U2000 SERIES

5.5" x 5.5" Galvanized Steel Plate



[298.45]
11.750

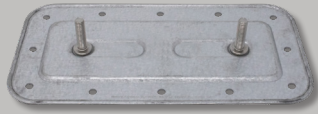


3/8" - 16 x 1 1/2"
304 Stainless Bolt

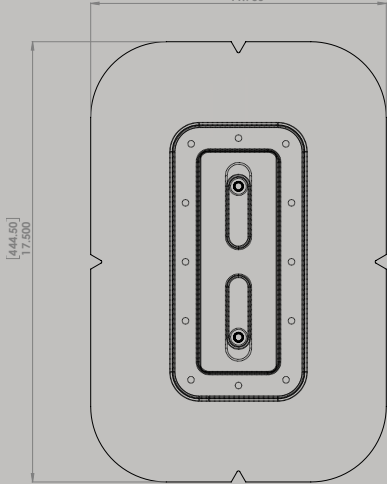


U3000 SERIES*

11" x 5.5" Galvanized Steel Plate



[298.45]
11.750



3/8" - 16 x 1 1/2"
304 Stainless Bolt

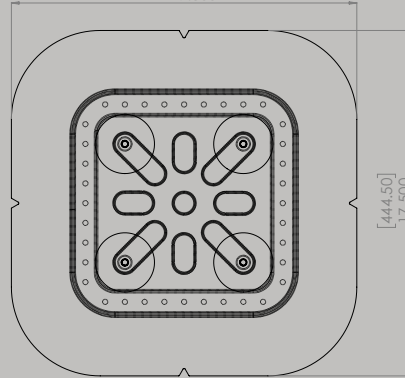
Spacing 6"

U5000 SERIES

11.5" x 11.5" Galvanized Steel Plate



[444.50]
17.500



3/8" - 16 x 1 1/2"
304 Stainless Bolt

Spacing 6"

Guaranteed Not To Leak

The U-Anchor is easy to install and is included in the warranties of the major roofing manufacturers. The U-Anchor employs the same installation methods as other common rooftop accessories. Utilizing the same material as the manufacturer. Customizable membrane colors and bolts allow the U-Anchor to seamlessly integrate with the roofing system.



Our Solutions

Anchor Products developed the most advanced solution in the industry, the U-Anchor.™ It's a solution designed by roofing experts for securing commercial rooftop equipment.

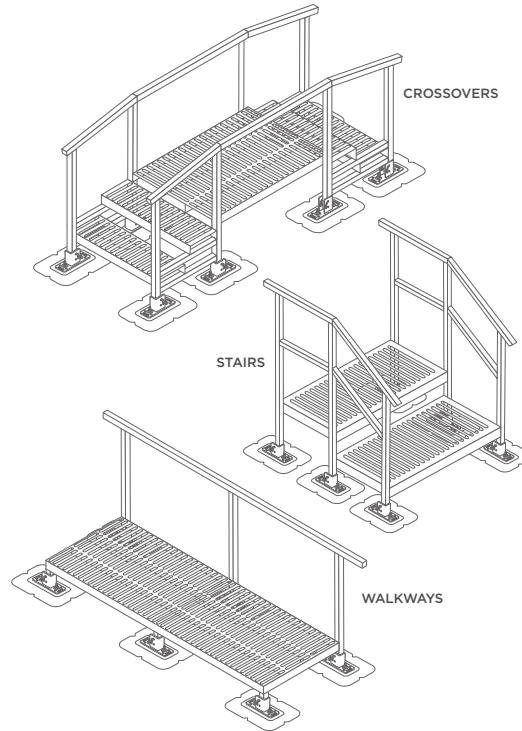



No matter what type of rooftop equipment you have, Anchor Products has an answer. We have all the accessories you need to complete your installation, making us a one-stop shop.

"This is the most interesting product at the IRE Conference"
- Joey C.

Access & Egress Solution

Allows for a safe means of access and egress with a variety of options such as secured stairs, crossover bridges, roof walkways, and more.

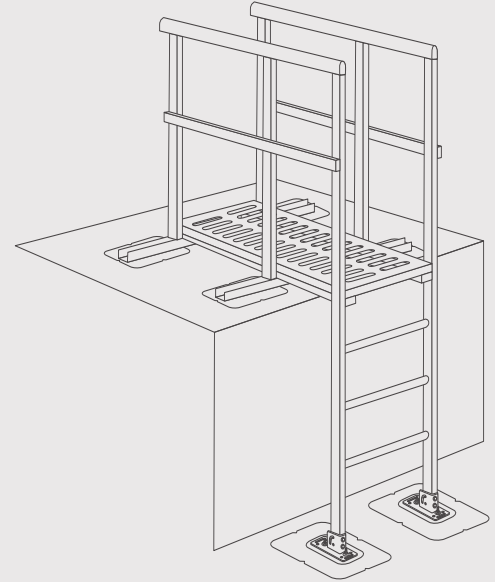



To learn more about our Access System Securement, scan this QR Code with your smart phone. 



Roof Ladder Solution

Every roof ladder solution is designed with the specifications of the roof, location, and other variables in mind.

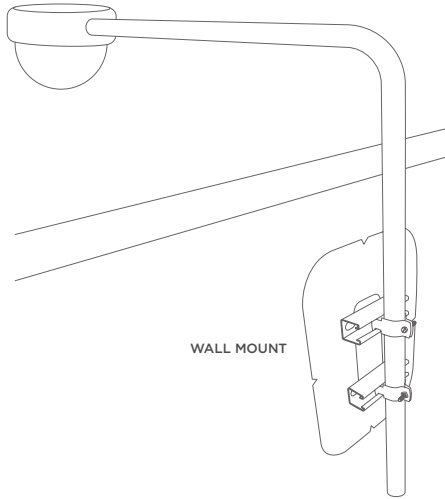


To learn more about our Roof Ladder Securement Solution, scan QR code. 



Camera Mounting Solution

Ensures that your commercial rooftop camera system is efficiently installed in a safe and stable manner. The U-Anchor™ is perfect for wall mounted applications.

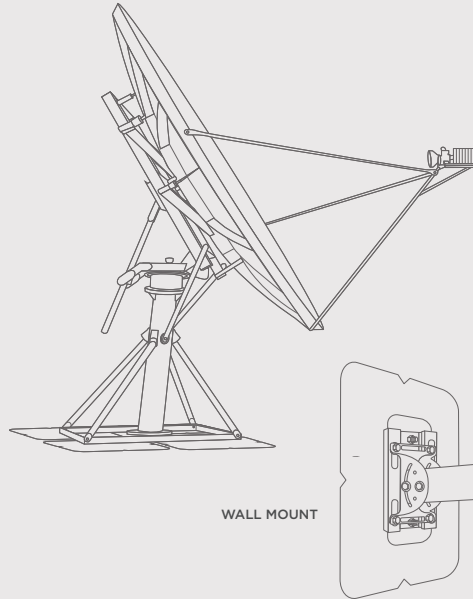


To learn more about our Camera Mounting Solution, scan QR code.



Satellite Securement Solution

Once mounted it provides a stable and secure option for your communication system with minimal need for maintenance and adjustments.

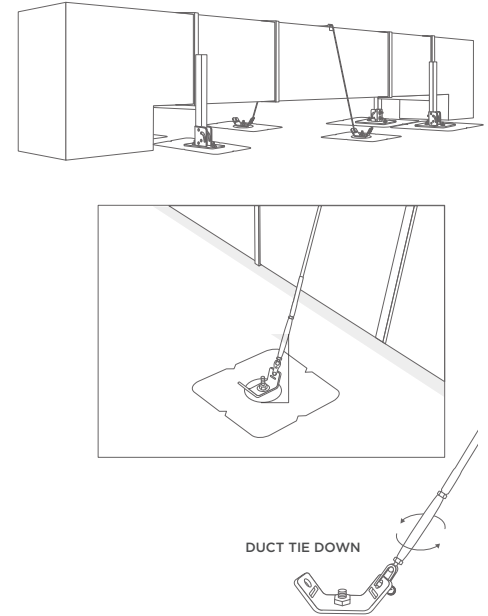


To learn more about our Satellite Securement Solution, scan QR code.



Duct Securement Solution

Provides an effective and reliable attachment for a new or existing duct system, keeping it in place under the harshest conditions.

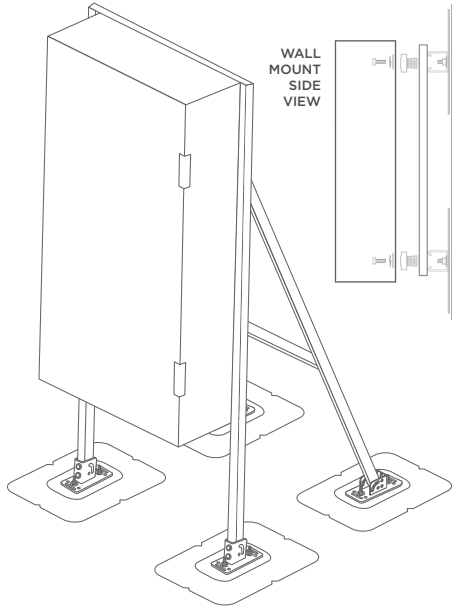


To learn more about our Duct Securement Solution, scan QR code.



Electrical Box Roof Mount Solution

Provides exceptional strength to hold down electrical boxes on the rooftop and prevent movement that can lead to leaks and damage to electrical components.

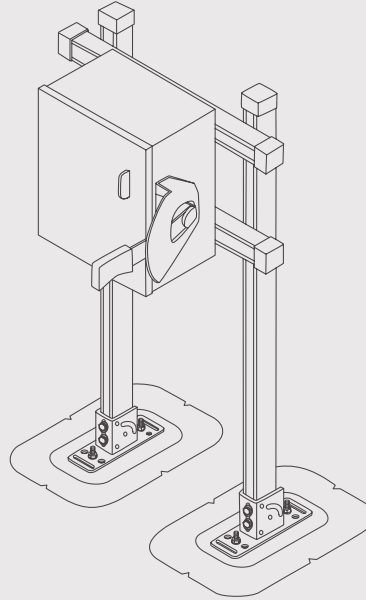


To learn more about our Electrical Box Roof Mount Solution, scan QR code.



Electrical Disconnect Box Solution

This solution provides a stable and secure option for common electrical equipment. Available in wall mount and roof mount options.

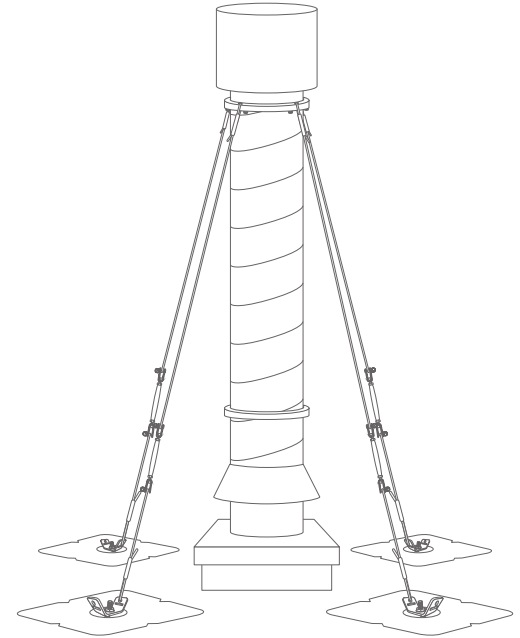


To learn more about our Electrical Disconnect Box Securement Solution, scan QR code.



Exhaust Tie-Down Solution

Securely mounts exhaust towers, antennas, H-Frames, and other elevated rooftop equipment.

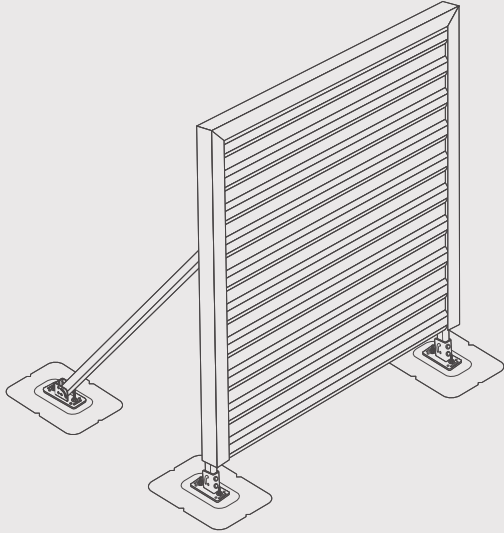


To learn more about our Exhaust Securement Solution, scan QR code.



Equipment Screen Solution

Conceal unsightly rooftop equipment, reduce noise, and wind effects while providing a securely attached equipment screen.

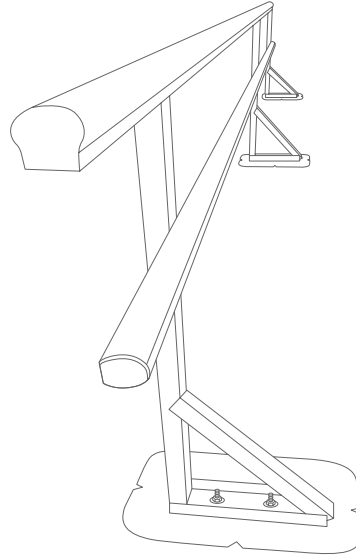


To learn more about our Equipment Solution, scan QR code.



Roof Mounted Guardrail Solution

This solution is a passive fall protection system that is fully attached to the roof and watertight without the use of counterweights.

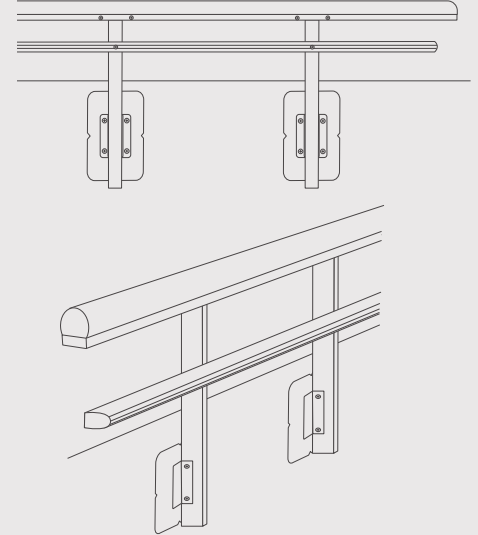


To learn more about our Roof Mounted Guardrail, Solution, scan QR code.



Wall Mounted Guardrail Solution

This watertight passive fall protection system is attached to the parapet wall, extending the parapet height to meet safety requirements.

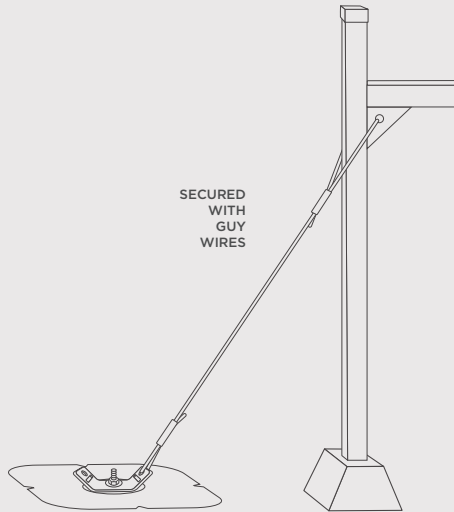


To learn more about our Wall Mounted Guardrail, Solution, scan QR code.



H-Frame Tie-Down Solution

This adjustable solution uses Guy Wires to secure existing H-Frames, duct supports, plumbing, and wire management.

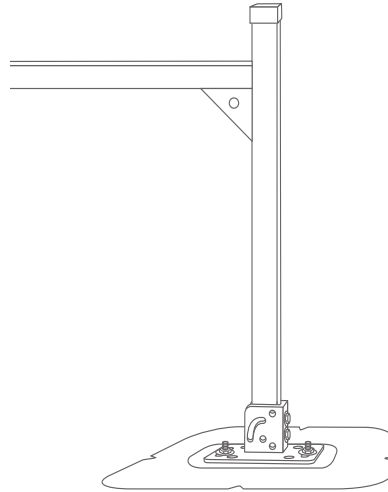


To learn more about our H-Frame Tie-Down Securement Solution, scan QR code.



Attached H-Frame Solution

Its adjustable in height and does not require Guy Wires for securement. Made for plumbing, wire management, duct work, and pipe support.

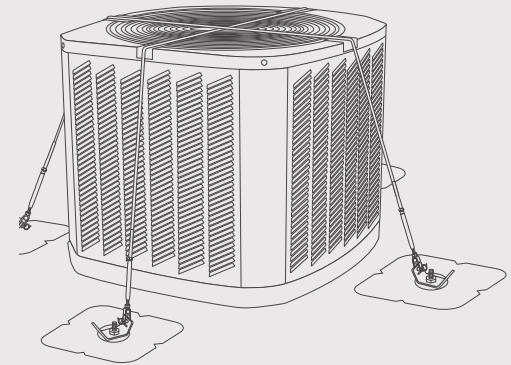


To learn more about our Attached H-Frames Solution, scan QR code.



HVAC Tie-Down Securement Solutions

The HVAC tie-down kit secures rooftop units to the structure and can be installed with new or existing equipment to meet high wind and seismic requirements.

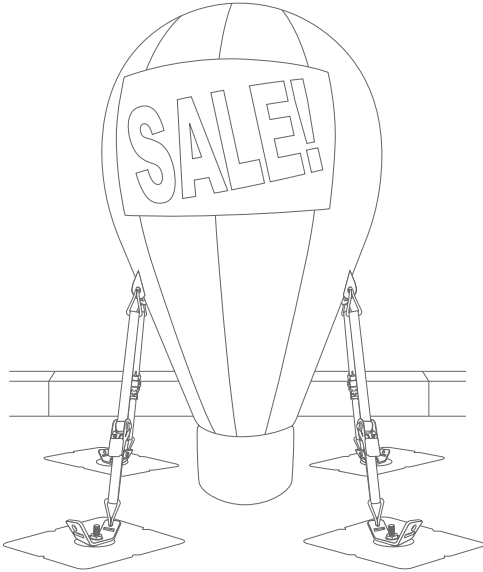


To learn more about our HVAC Tie-Down Securement Solution, scan QR code.



Promotional Securement Solution

Provides a stable and secured system to mount commercial rooftop inflatables and other promotional items without ballast or other roof damaging systems.

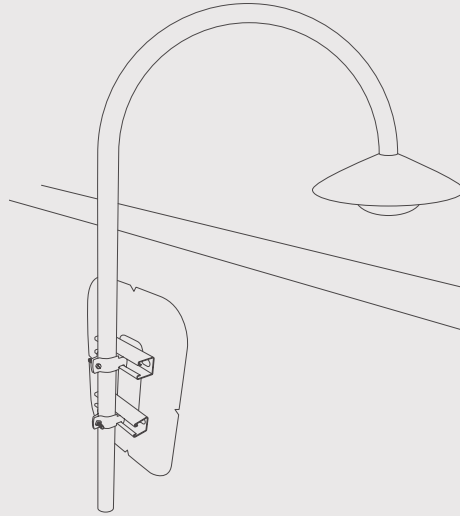


To learn more about our Inflatable Securement Solution, scan QR code.



Exterior Light Mount Solution

Provides roof or wall mounted solution for added lighting for the perimeter of the facility. Making maintenance or updates hassle free.

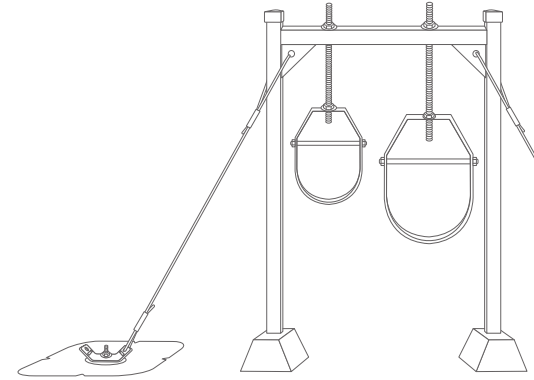


To learn more about our Exterior Light Mount Solution, scan QR code.



M.E.P. Frames Securement Solution

This solution is designed for new or existing mechanical, electrical, and plumbing systems using Guy Wires. Withstands mechanical movement and meets wind and seismic requirements.

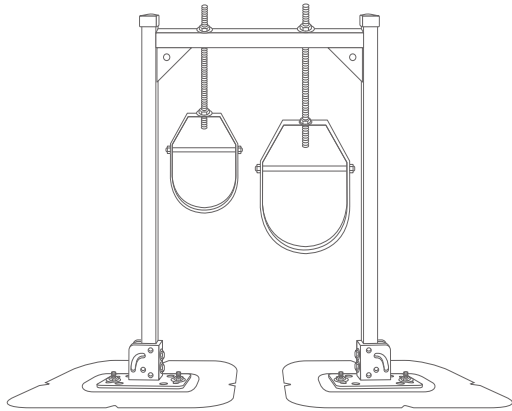


To learn more about our M.E.P., Solution, scan QR code.



M.E.P. Attached Frames Solution

This solution is designed for mechanical, electrical, and plumbing systems without the use of Guy Wires. Withstands mechanical movement and meets wind and seismic requirements.

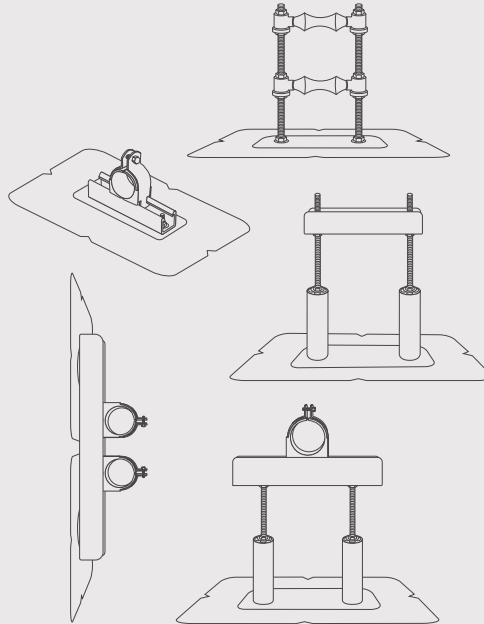


To learn more about our M.E.P. Attached Frames Securement Solution, scan QR code.



PSS Pipe Securement Solution

Offering an excellent solution for safely securing plumbing or conduit systems to the roof or wall. It's available in multiple options making it easy to configure.

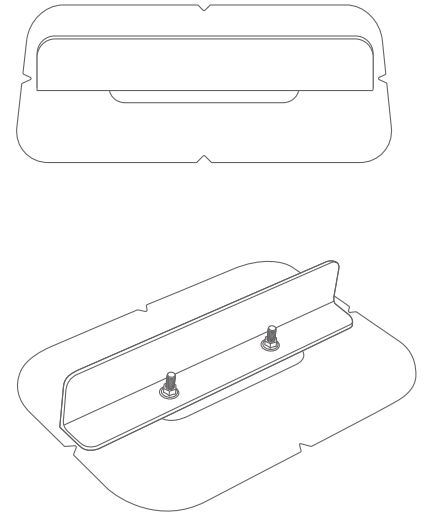


To learn more about our PSS Pipe Securement Solution, scan QR code.



Unitized Snow Retention Solution

Provides confidence when holding back snow on commercial roof systems and can be placed in critical areas as needed.

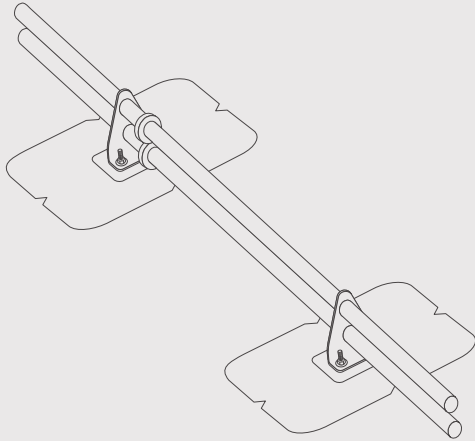


To learn more about our Unitized Snow Fence Solution, scan QR code.



2-Pipe Snow Fence Solution

Complete snow retention system designed to be used with low-slope roofs that is a reliable, engineered, and tested solution for superior strength and confidence for holding back snow.



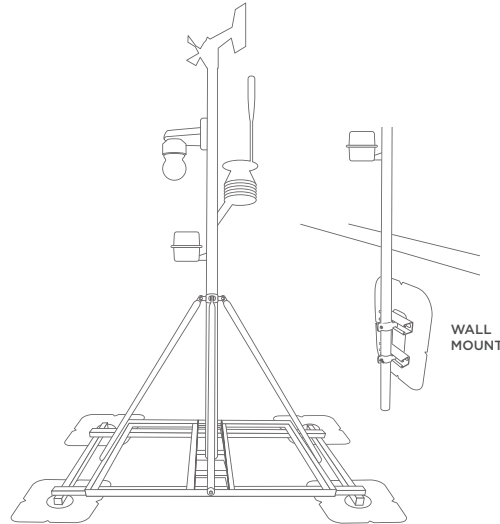
To learn more about our 2-Pipe Snow Fence System Solution, scan QR code.



anchorp.com | 888.575.2131

Weather Station Mounting Solution

The U-Anchor allows for weather monitoring stations to be effectively secured to the surface of your roof or the parapet wall.



To learn more about our Weather Station Mounting Solution, scan QR code.



Anchor Products Solutions Guide

Connections That Last

Our products are unique within the roofing industry. They provide strength, reliability, practicality, and innovation for all low-slope roof equipment needs.

Our Solutions are designed to make installation easy, without sacrificing strength and stability. They give the confidence that all the attached equipment can withstand extreme weather and seismic events.

Call us today or visit our website to see for yourself why we are the "Connections That Last."





ANCHOR PRODUCTS[®]
Connections That Last

-  6316 Airport Fwy
Haltom City, TX 76034
-  888.575.2131
-  info@anchorp.com
-  anchorp.com



Connections That Last