



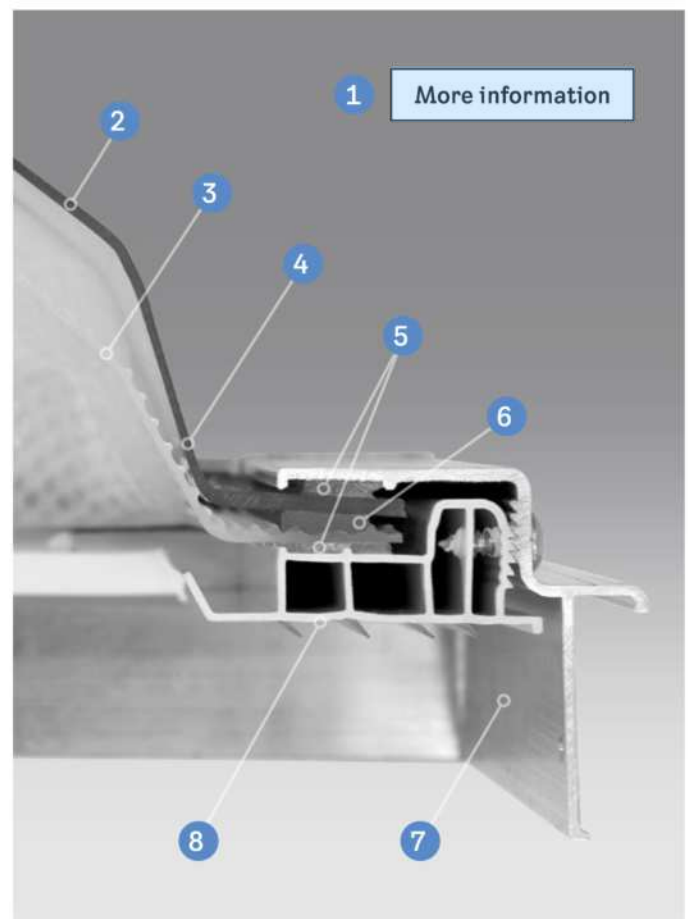
The VELUX Dynamic Dome

A revolution in commercial skylights

The VELUX Dynamic Dome has once again revolutionized the commercial skylight market with new features that emphasize our commitment to environmental sustainability and providing quality daylighting products.

New and Upgraded Features

- 1 Sustainability** – VELUX is continuously seeking to minimize our Carbon footprint which includes developing smart and energy saving products. The new design of a fully assembled 5'x6' Dynamic Dome sees a product carbon footprint reduction of 7.4%.
- 2 Outer Dome** – While keeping to its uncompromising strength and revolutionary engineering, the new optical outer dome design of the Dynamic Dome transmits 20% more light into spaces below.
- 3 White Prismatic Inner Dome** – The inner dome achieves 100% light diffusion and is available for larger size needs or to meet HVHZ code requirements.
- 4 Sidewall of Dome** – Masterfully designed to match the angles of the sun in the morning and afternoon hours (lower light periods) to improve light transmittance.
- 5 Impenetrable Water Protection** – The combination of two layers of InstantGlaze sealant ensures a fully watertight design.
- 6 Glazing Spacer** – Porous for any moisture that may form in between the domes.
- 7 One-Piece Aluminum Frame** – Improved frame strength and thermal performance from previous two-piece frame design.
- 8 PVC Thermal Break** – The unique two-way function of the PVC inner frame provides a 100% thermal break, as well as a water management system, evacuating all moisture to the exterior.
 - » Dry Installation - no curb sealants or tape needed
 - » Combined Wicking System: Absorbs moisture from the inner frame to evacuate to the exterior



Sizes for Dynamic Dome Skylights

	2448	2496	2412	3012	3636	3660	3672	3696	3612	4783	4848	4860	4872	4896	4812
W - inches x H - inches															
Curb-mount - outside curb	27" x 51"	27" x 99"	27" x 123"	33" x 123"	39" x 39"	39" x 63"	39" x 75"	39" x 99"	39" x 123"	50" x 86"	51" x 51"	51" x 63"	51" x 75"	51" x 99"	51" x 123"
Deck-mount - rough opening	24" x 48"	24" x 96"	24" x 120"	30" x 120"	36" x 36"	36" x 60"	36" x 72"	36" x 96"	36" x 120"	47" x 83"	48" x 48"	48" x 60"	48" x 72"	48" x 96"	48" x 120"
Maximum skylight clearance	28 1/4" x 52 1/4"	28 1/4" x 100 1/4"	28 1/4" x 124 1/4"	34 1/4" x 124 1/4"	40 1/4" x 40 1/4"	40 1/4" x 64 1/4"	40 1/4" x 76 1/4"	40 1/4" x 100 1/4"	40 1/4" x 124 1/4"	51 1/4" x 87 1/4"	52 1/4" x 52 1/4"	52 1/4" x 64 1/4"	52 1/4" x 76 1/4"	52 1/4" x 100 1/4"	52 1/4" x 124 1/4"

	5060	6060	6072	6096	6012	7272
W - inches x H - inches						
Curb-mount - outside curb	62 3/8" x 74 3/8"	63" x 63"	63" x 75"	63" x 99"	63" x 123"	75" x 75"
Deck-mount - rough opening	59 3/8" x 71 3/8"	60" x 60"	60" x 72"	60" x 96"	60" x 120"	72" x 72"
Maximum skylight clearance	63 3/8" x 75 5/8"	64 1/4" x 64 1/4"	64 1/4" x 76 1/4"	64 1/4" x 101 1/4"	64 1/4" x 124 1/4"	76 1/4" x 76 1/4"

Technical documents

- Testing and Certification
- Specifications
- CAD Files and BIM Models
- Installation Instructions
- LEED Data

Options

LuxGuard
(Polycarbonate)

15-Year Warranty - including hail breakage up to 2"

LuxGuard Plus
(Polycarbonate) HVHZ and NOA

15-Year Warranty - including hail breakage up to 2"

IMA
(Impact Modified Acrylic)

5-Year Warranty

Satin Sky
(IR Acrylic)

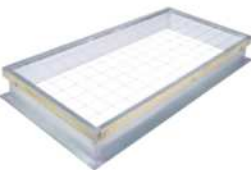
5-Year Warranty
Part of the Energy Dome Series

Custom sized curb-mount and deck-mount traditional domes are also available. See Traditional Dome Series.

Curbs for Dynamic Dome



Curb: CCAW
Insulation: Factory Insulated - Double Wall
Material: Aluminum
Height Options: 9", 12", 16"



Curb: CCA6
Insulation: Field Insulated - Single Wall
Material: Galvanized Steel
Height Options: 9", 12", 16", 18"



Curb: CCA3
Insulation: Factory Insulated - Double Wall
Material: Galvanized Steel
Height Options: 9", 12", 16", 18"

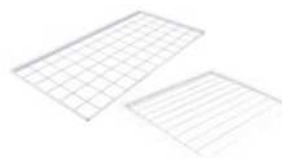
Fall Protection for Dynamic Dome



Exterior safety screen:
CAE



Interior safety screen:
CRGA ICD
6" o.c. mesh



Interior security bars:
CRGA BB/SB
8" o.c. mesh (BB)
5" o.c. parallel (SB)



The safety of others is of the utmost importance to VELUX. In addition to selecting the correct skylight for the application, VELUX recommends that the customer consider protecting all skylight openings and skylights with one or more of the fall protection accessories. VELUX recommends that the building owner or manager restrict roof access only to personnel who have been sufficiently cautioned as to the location of the skylights, and warned not to sit, step or walk on the skylights. Building owner or manager should provide fall protection around the skylight in accordance with OSHA regulations.