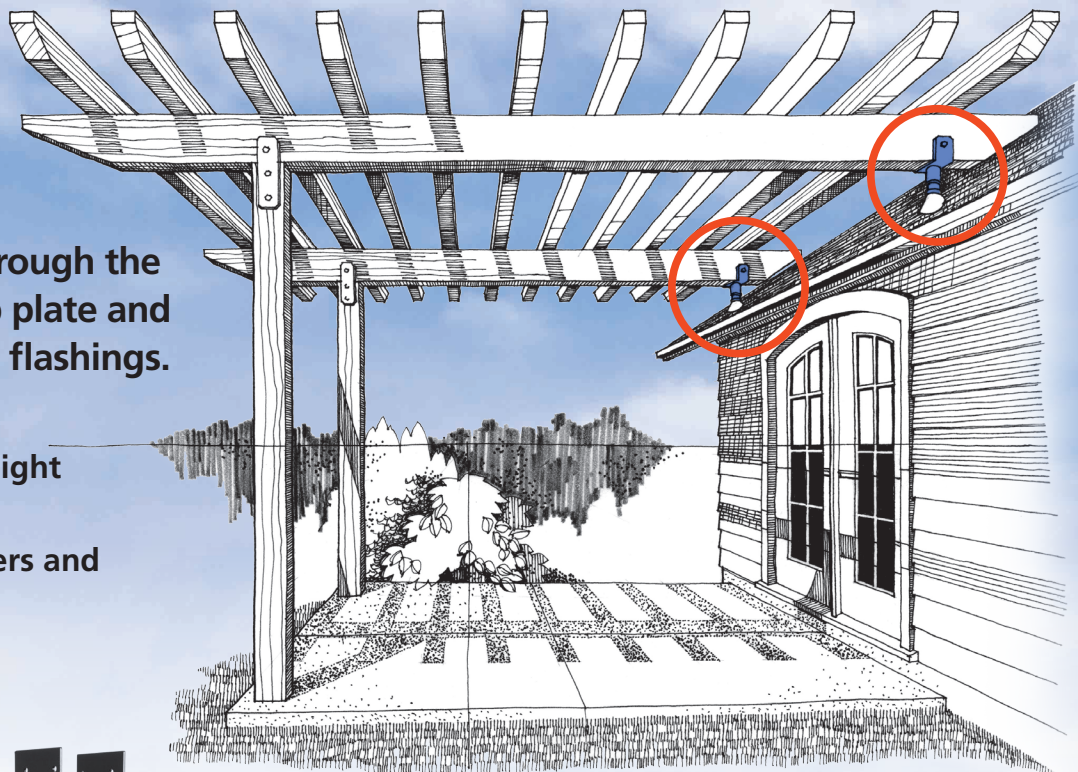


The SkyLift System

The new, better way to attach shade structures above the roof.

SkyLift Risers mount through the roof onto the wall's top plate and seal with standard pipe flashings.

- SkyLift increases headroom, natural light and cooler air flow
- Simplifies rain gutters and roof tie-in
- Reduces leaks and debris build-up



Standard

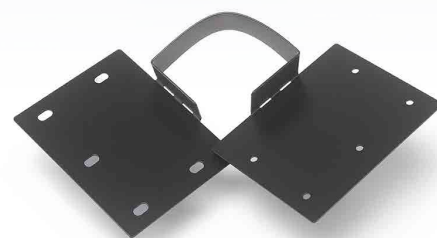


Heavy Duty
Also available 30" and 36"



Designer Riser™
Designed to support a vertical wood post

PATENT PENDING



SkyLift Lateral Stabilizing Strap
Adds extra lateral stability for Risers, stand-offs, stanchions and weatherheads

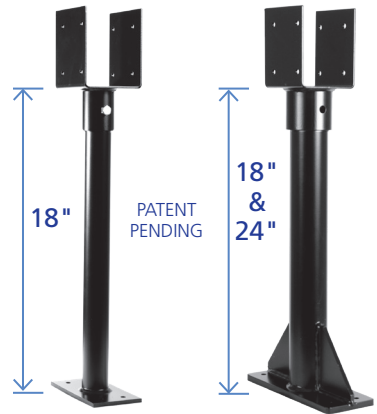
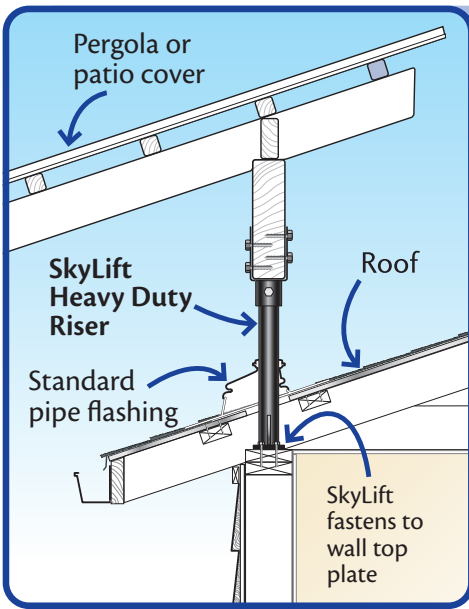


1-888-759-5488

Learn more at SkyLiftHardware.com and view the short installation video.

Size Availability	18" HEIGHT	24" HEIGHT	18" HEIGHT	24" HEIGHT	LATERAL STABILIZING STRAP
STANDARD DUTY For lightweight covers	SK18-B 3.5" Saddle		ROUGH BEAM	ROUGH BEAM	SK-LSS-1.5 Fits Std. 1.5" Pipe
HEAVY DUTY* For seismic or high wind	SK18-HD 3.5 3.5" Saddle	SK24-HD 3.5 3.5" Saddle	SK18-HD 4R 4" Saddle	SK24-HD 4R 4" Saddle	SK-LSS-2.0 Fits Std. 2.0" Pipe
	SK18-HD 5.5 5.5" Saddle	SK24-HD 5.5 5.5" Saddle	SK18-HD 6R 6" Saddle	SK24-HD 6R 6" Saddle	
SKYLIFT DESIGNER RISER™	SK-DR 3.5 3.5" Saddle	SK-DR 4 4" Saddle	SK-DR 5.5 5.5" Saddle	SK-DR 6 6" Saddle	

SkyLift Standard and Heavy Duty Risers

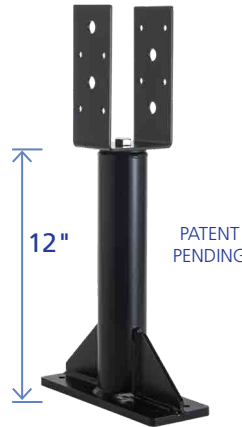
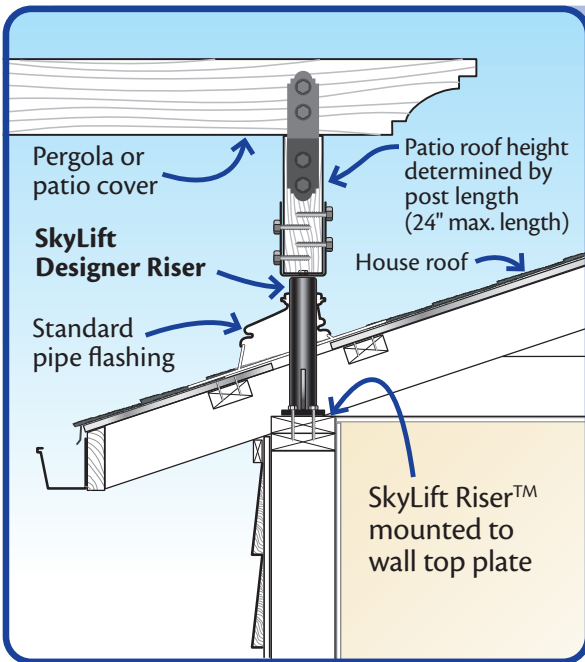


Standard
18"
Heavy Duty
Also available
30" and 36"

A more stable, simplified tie-in for new or existing patio covers

SkyLift Risers elevate a patio cover, pergola or arbor above the existing house roof, providing more headroom, natural light and cool air circulation. Rain gutters stay in place and there's no debris build up like a conventional patio cover installation. The Risers mount through the building's roof and are fastened to the exterior wall's top plate. The Riser is sealed with a standard pipe flashing. Select **Standard Risers** for lightweight covers, or **Heavy Duty Risers** for seismic or high wind requirements.

The SkyLift Designer Riser

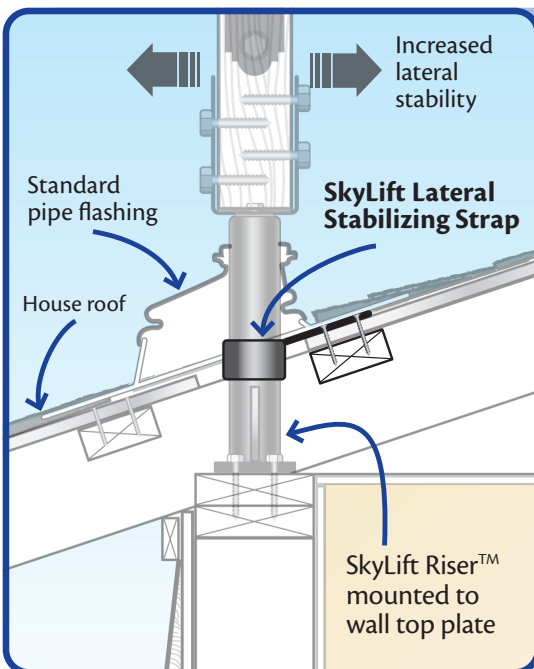


Designer Riser™
Designed to support
a vertical wood post

More design flexibility for setting the patio cover height

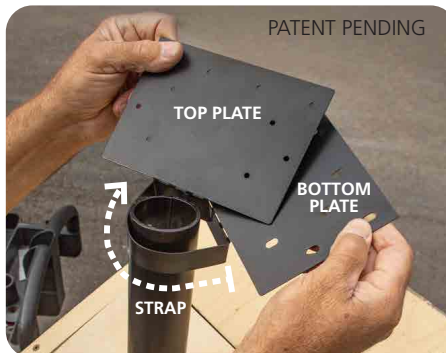
The SkyLift Designer Riser secures a beam or post to support the patio cover. Now you have more flexibility to determine the cover's roof pitch and headroom by adjusting the length of the support post.

Like all SkyLift hardware, you can elevate a patio cover, pergola or arbor above an existing building's roof. Scan the QR code to see more installations at SkyLiftHardware.com



The SkyLift Lateral Stabilizing Strap

The Lateral Stabilizer Strap can be used as an additional measure to reinforce and stabilize the SkyLift Riser™ or a wide variety of other products such as a stand-off, stanchion, electrical weatherhead, satellite dish, or solar installation, where improved structural stability is desired and/or necessary.



The one-piece 18 Ga. steel Lateral Stabilizing Strap wraps around the Riser.



Secured to the roof, the Strap provides extra lateral stability to the SkyLift Riser.