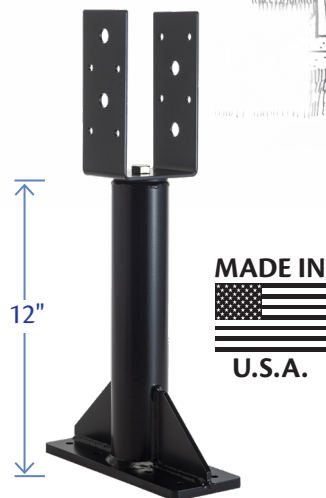
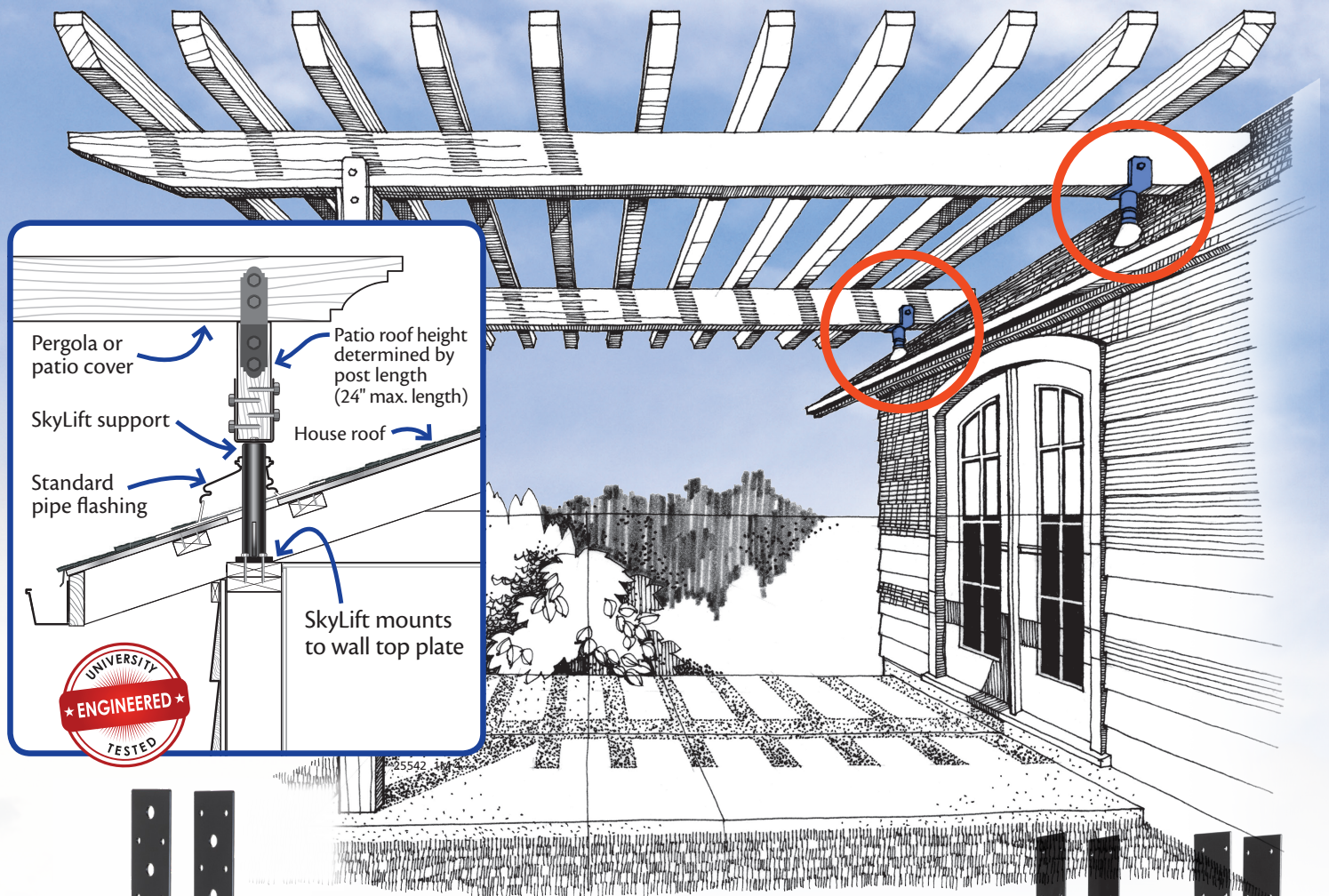


Introducing the SkyLift Designer Riser.™

Now open up the design possibilities for new or existing patio covers.



SkyLift Designer Riser™
12" Riser with 3.5" Saddle

The saddle on the SkyLift Designer Riser™ supports a beam or post to adjust the patio cover height.

- Provides affordable installation
- Simplifies rain gutters and roof tie-in
- Is structurally sound and visually appealing
- Increases natural light and air flow
- Utilizes leak-proof standard roof jack flashing
- Eliminates low slope, provides more headroom



Standard Heavy Duty

SkyLift
roof riser hardware™
Patent Pending
1-888-759-5488
For Contractors or DIY

Size Availability

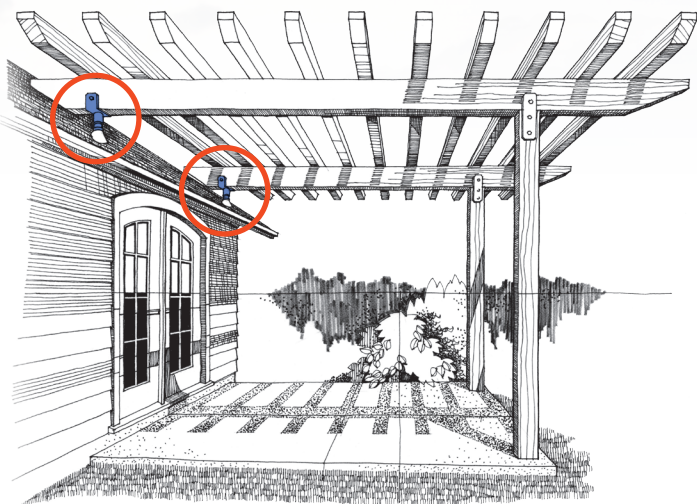
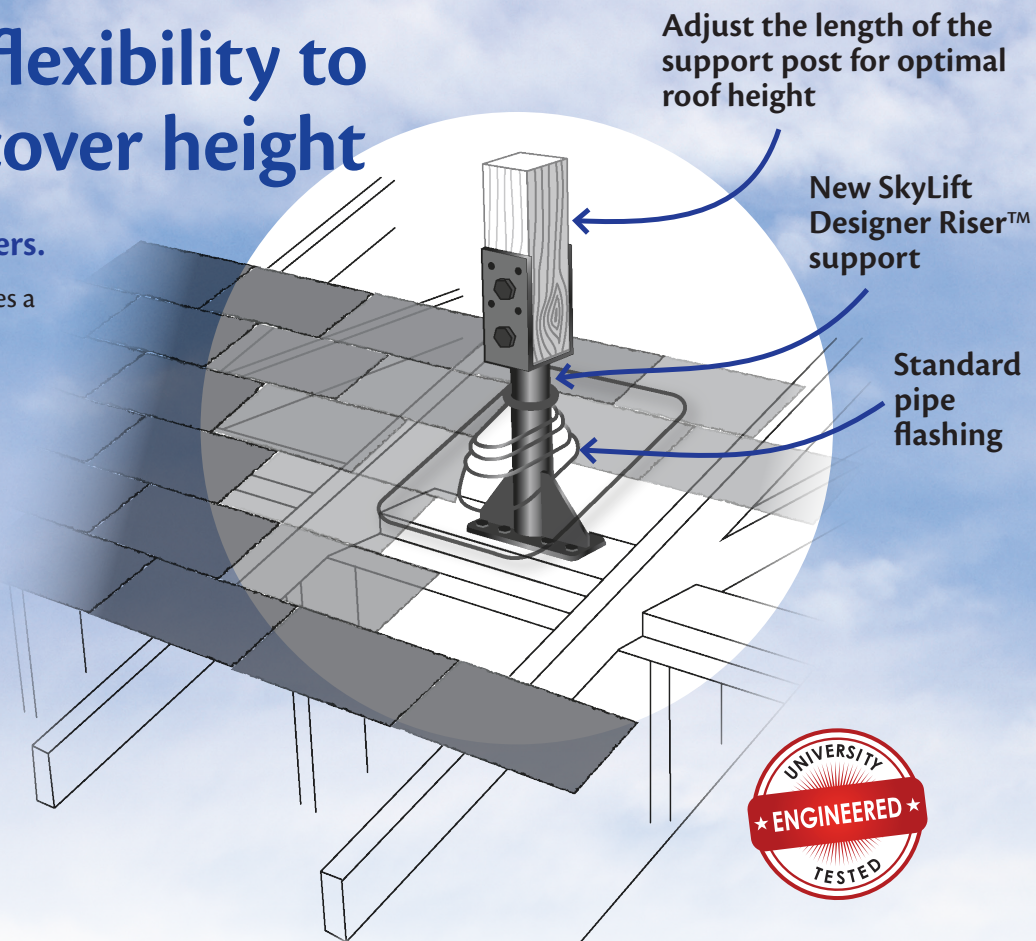
	18" HEIGHT STANDARD	24" HEIGHT STANDARD	18" HEIGHT ROUGH	24" HEIGHT ROUGH
STANDARD DUTY For lightweight covers	SK18-B 3.5" Saddle		ROUGH BEAM	ROUGH BEAM
HEAVY DUTY* For seismic or high wind	SK18-HD 3.5 3.5" Saddle	SK24-HD 3.5 3.5" Saddle	SK18-HD 4R 4" Saddle	SK24-HD 4R 4" Saddle
	SK18-HD 5.5 5.5" Saddle	SK24-HD 5.5 5.5" Saddle	SK18-HD 6R 6" Saddle	SK24-HD 6R 6" Saddle
New! SKYLIFT DESIGNER RISER™	SK-DR 3.5 3.5" Saddle	SK-DR 4 4" Saddle	SK-DR 5.5 5.5" Saddle	SK-DR 6 6" Saddle

More design flexibility to adjust patio cover height

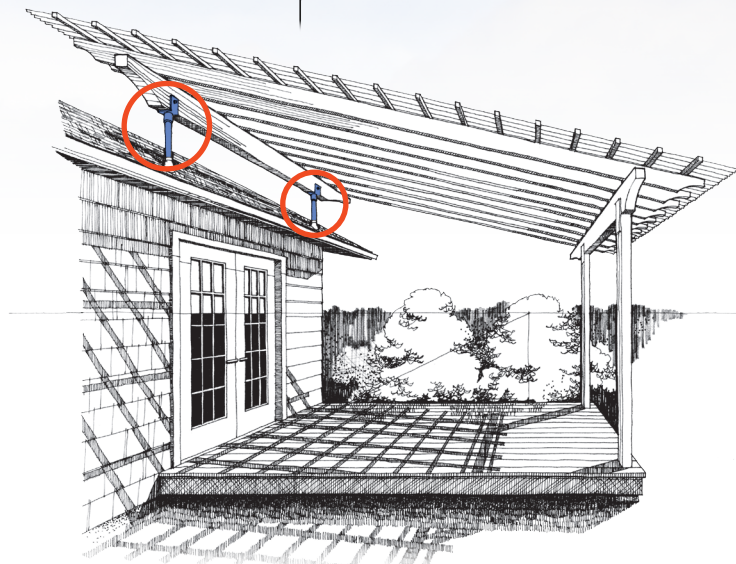
For new or existing patio covers.

The new SkyLift Designer Riser™ secures a beam or 4x4 post to support the patio cover. Now you can easily match the home's roof pitch by adjusting the length of the support post.

Like all SkyLift hardware, you can elevate a patio cover, pergola or arbor above an existing house roof. Construct a shed-style cover or awning that invites natural light and airflow, without re-framing the house. Erect a sophisticated pergola or arbor. The SkyLift Designer Riser™ opens up many new design possibilities.



Pergolas and Arbors



Elevated Covers

SkyLift
 roof riser hardware™

Patent Pending

1-888-759-5488

MADE IN

 U.S.A.

Learn more at
SkyLiftHardware.com
 and view the
 short installation video

25528 2.19