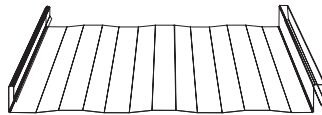




PRODUCT INFORMATION

LokSeam® is a snap-together standing seam roof system with a 1¾" tall vertical rib, for use on roofs with a minimum slope of 3:12. LokSeam® panels are available in 12-inch, 16-inch and 18-inch widths. LokSeam® panels can be installed over open framing or a solid substructure and are capable of transitioning from roof to fascia with the use of a rib cover. LokSeam® does not require a solid substructure for support.

- Coverage Width – 12", 16", 18"
- Minimum Slope – 3:12
- Panel Attachment – Concealed Fastening System, Standard and UL90 Clips
- Gauge – 24 (standard)
- Coatings – Galvalume Plus®, Signature® 200 Standard, Signature® 300 Standard, Signature® 300 Metallic



LOKSEAM®

SIGNATURE® 200

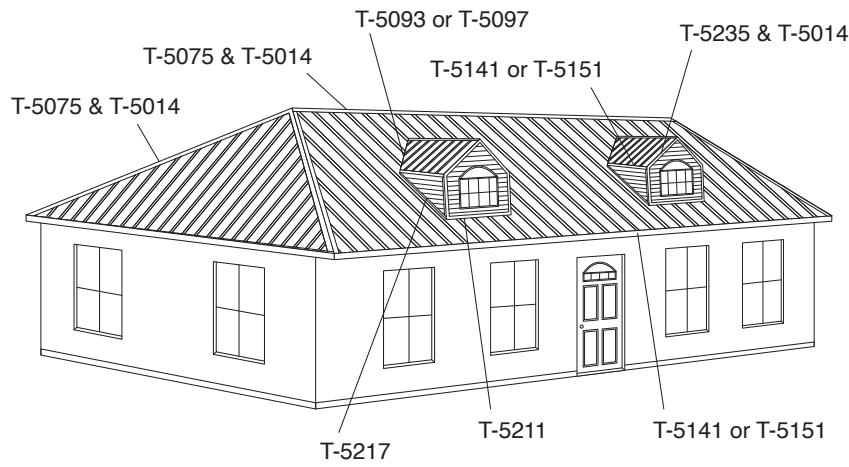
	BURNISHED SLATE ★		KOKO BROWN★
	CHARCOAL GRAY ★		LIGHT STONE ★
	COAL BLACK ★		POLAR WHITE★
	FERN GREEN ★		RUSTIC RED ★
	HAWAIIAN BLUE ★		SOLAR WHITE**★

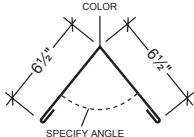
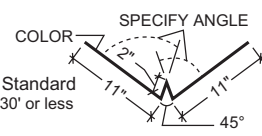
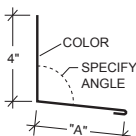
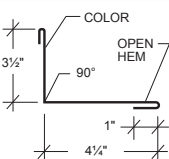
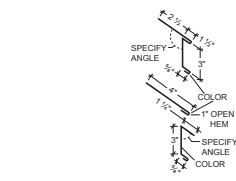
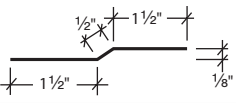
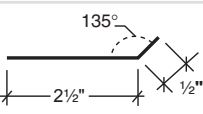
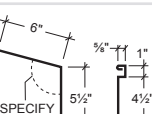
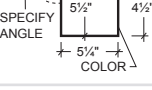
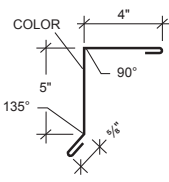
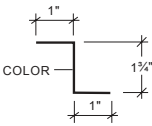
SIGNATURE® 300

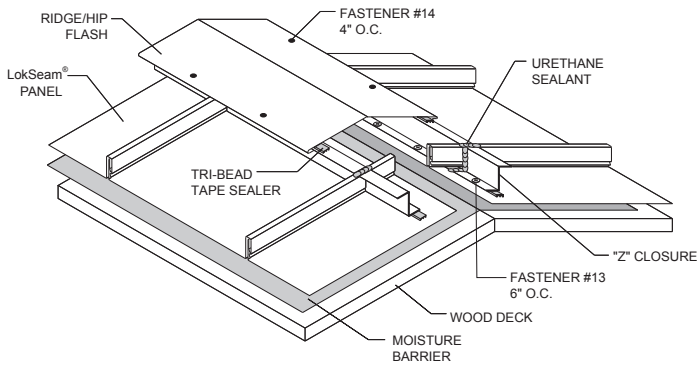
	ALMOND ★		COLONIAL RED ★		MEDIUM BRONZE ★		SLATE GRAY ★
	BONE WHITE ★		COPPER METALLIC ★		MIDNIGHT BRONZE		SNOW WHITE ★
	BRITE RED		EVERGLADE ★		NATURAL PATINA		SPRUCE ★
	BROWNSTONE ★		HARBOR BLUE ★		PACIFIC BLUE		TUNDRA ★
	CLASSIC GREEN ★		HUNTER GREEN ★		SILVER METALLIC ★		



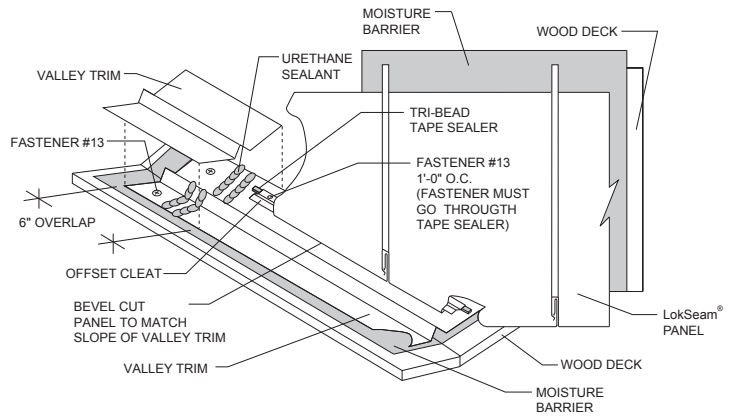
★ COOL ROOF COMPLIANT THROUGH THE CRRC RATING PROGRAM. **Also available in 29-gauge **Minimum quantities and/or extended lead times may be required



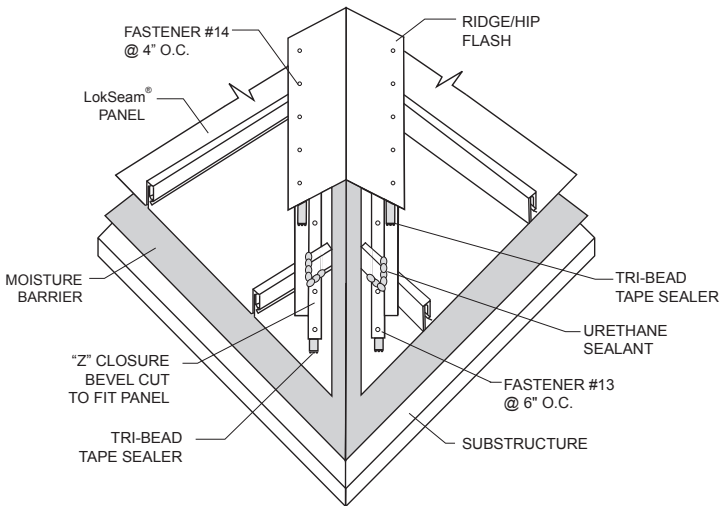
ITEM	PART #	DIM "A"	LENGTH	GAUGE
Ridge/Hip Flash - Fixed 	T-5075	N/A	10'-2"	24 GA
	T-5076	N/A	20'-2"	24 GA
NOTE: Specify roof slope or angle indicated on drawing				
Standard Valley Trim 	T-5093	N/A	10' - 2"	24 GA
	T-5097	N/A	10' - 2"	24 GA
NOTE: Specify roof slope				
Parapet High Side Eave Flash - Fixed 	T-5211	N/A	10' - 2"	24 GA
NOTE: Specify roof slope or angle indicated on drawing				
Parapet Rake Flash 	T-5217	N/A	10' - 2"	24 GA
Eave Trim w/ Drip Edge 	T-5151	N/A	10'-2"	24 GA
	T-5141	N/A	10'-2"	24 GA
NOTE: Specify roof slope				
Offset Cleat 	T-5131	N/A	10'-2"	24 GA
Continuous Cleat 	T-5121	N/A	10'-2"	24 GA
Box Gutter 	T-5261	N/A	10'-2"	24 GA
Gutter End (right or left) 	T-5291	N/A	N/A	24 GA
Box Rake 	T-5235	N/A	10'-2"	24 GA
NOTE: Specify open hem if using continuous cleat				
Zee Closure 	T-5014	N/A	10'-2"	24 GA



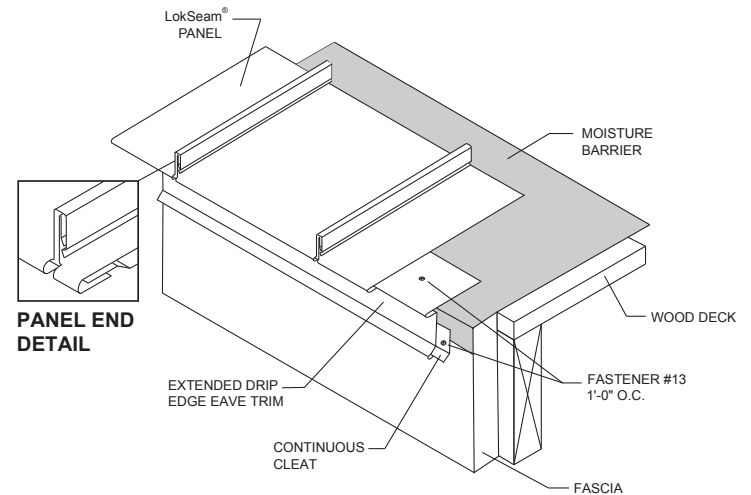
RIDGE



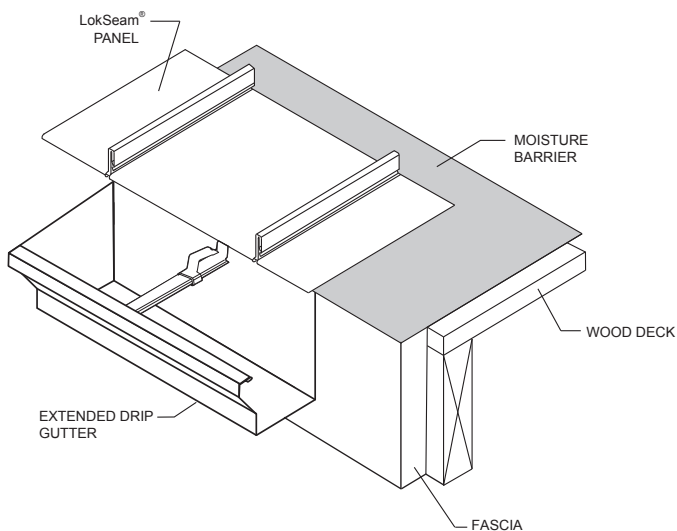
VALLEY



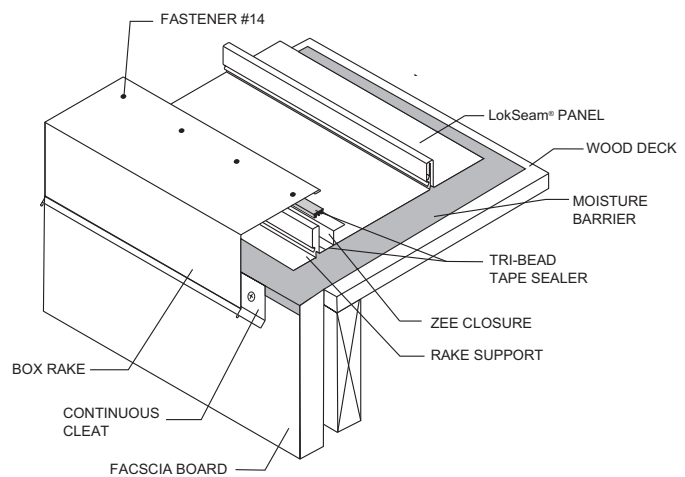
HIP



EAVE TRIM

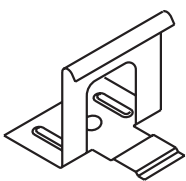


GUTTER



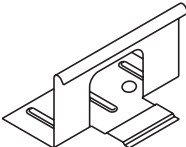
RAKE

LokSeam® Standard Clip




PART #
HW-6200

LokSeam® UL90 Clip
NOTE: Requires two fasteners per clip for UL90



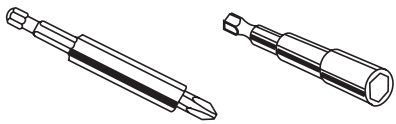
PART #
HW-6400

Touch-Up Paint



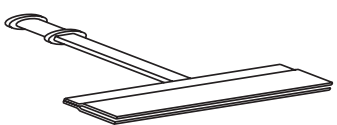
PART #	TYPE	SIZE
HW-304	Signature® 200	2 oz.
HW-305	Signature® 300	2 oz.

Magnetic Sockets



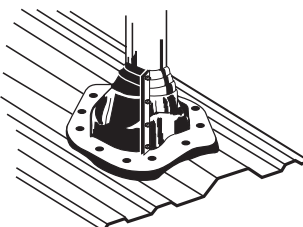
PART #	SIZE
HW-604	3/8" Hex Drive
HW-605	5/16" Hex Drive
HW-606	1/4" Hex Drive
HW-615	#2 Phillips insert with magnetic Holder

Panel Hemming Tool



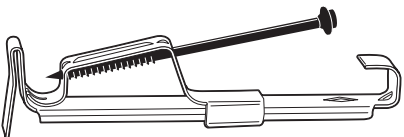
PART #
HW-602

Rubber Roof Jack



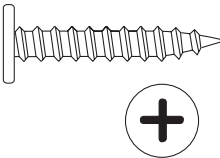
PART #	TEMP. RANGE	PIPE SIZE	BASE DIM	WEIGHT EACH
HW-1000	-65°F to +212°F	3/8" - 2"	4 1/2"	.17#
HW-1001	-65°F to +212°F	1/4" - 5"	8"	.50#
HW-1002	-65°F to +212°F	4" - 7"	11"	.95#
HW-1003	-65°F to +212°F	6" - 11"	14"	1.55#
HW-1004	-65°F to +212°F	7" - 13"	17"	2.56#
HIGH TEMPERATURE				
HW-1046	-100°F to +437°F	1/4" - 5"	8"	.50#
HW-1047	-100°F to +437°F	4" - 7"	11"	.95#
HW-1048	-100°F to +437°F	7" - 13"	17"	2.56#
HW-1049	-100°F to +437°F	10" - 18"	25"	3.86#

Gutter Hanger




PART #
HW-339

Fastener #13
250 Per Bag



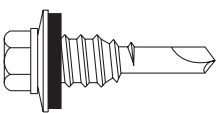
PART #	HEAD SIZE	LENGTH
13	#2 Phillips	10 x 1'

Pop Rivet
250 Per Bag



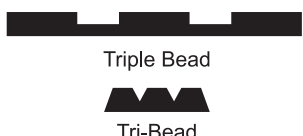
PART #	DIAMETER	GRIP RANGE
14	1/8"	3/16"

Fastener #4A
250 Per Bag



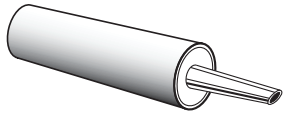
PART #	HEAD SIZE	LENGTH
4A	5/16"	14 x 7/8"

Tape Sealer



PART #	GENERAL	LENGTH
HW-502	2 1/2" x 3/16"	20'-0"
HW-504	7/8" x 3/16"	25'-0"

Tube Sealant



PART #	TYPE	COLOR
HW-548	Acrylic	White
HW-550	Acrylic	Gray
HW-540	Urethane	White
HW-541	Urethane	Gray
HW-542	Urethane	Bronze
HW-544	Urethane	Almond

NOTE: 25' per tube at 1/4" bead



Call or visit us online or in the store nearest you to meet with a project expert to learn more about our product offerings.

metaldepots.com