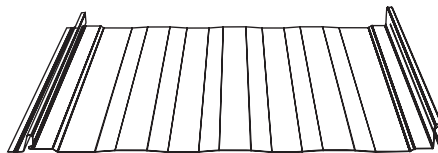














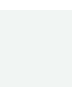




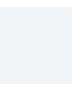



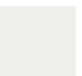
PRODUCT INFORMATION

The Slimline® roof panel system offers a sleek contemporary profile, installed with concealed fasteners making it ideal for residential applications. Slimline® panels are available with striations or striations and minor ribs. Slimline® cannot be endlapped.

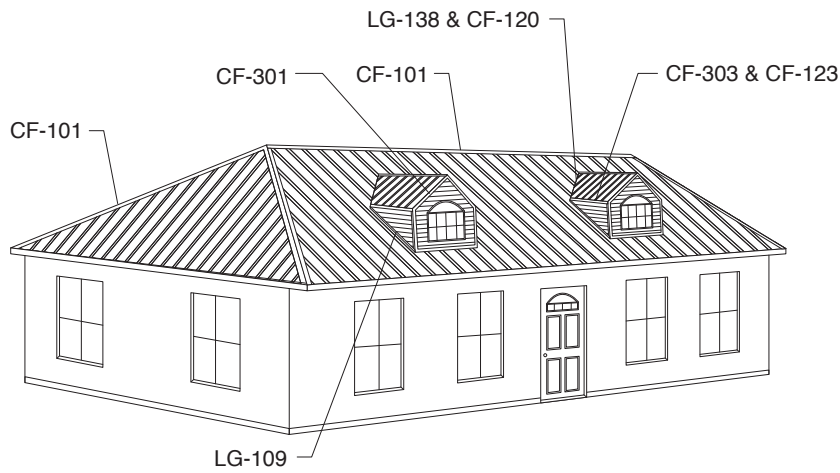
- Coverage Width – 16"
- Minimum Slope – 3:12
- Panel Attachment – Concealed Fastening System
- Gauge – 29 (standard); 26 (optional)
- Finishes – Minor Rib with Striations (standard); Striations only (optional)
- Coatings – Galvalume Plus®, Signature® 200



SIGNATURE® 200

 COAL BLACK ★	 HAWAIIAN BLUE ★	 CHARCOAL GRAY ★	 DESERT SAND ★	 CLAY	 GALVALUME PLUS ★
 EVERGREEN	 BUCKSKIN ★	 BURNISHED SLATE ★	 GRAY ★	 POLAR WHITE ★	
 IVY GREEN ★	 RUSTIC RED ★	 KOKO BROWN ★	 SADDLE TAN ★	 VINTAGE WHITE	
 COBALT BLUE ★	 BURGUNDY ★	 LIGHT STONE ★	 REGAL WHITE ★		

★ COOL ROOF COMPLIANT THROUGH THE CRRC RATING PROGRAM. Also available in 26-Gauge



ITEM	PART #	DIM "A"	LENGTH	GAUGE
Ridge/Hip Flash 	CF-101	N/A	10'-6"	26 & 29 GA
Standard Valley 	LG-138	N/A	10'-6"	26 & 29 GA
Endwall Flash 	LG-107	N/A	10'-6"	26 & 29 GA
Sidewall Flashing 	LG-109	N/A	10' - 6"	26 & 29 GA
Eave Trim w/ Drip Edge 	CF-303	N/A	10'-6"	26 & 29 GA
Offset Cleat 	CF-120	N/A	10'-6"	26 & 29 GA
Continuous Cleat 	CF-123	N/A	10'-6"	26 & 29 GA
Concealed Rake 	CF-301	N/A	10'-6"	26 & 29 GA
Zee Closure 	CF-117	N/A	10'-6"	26 & 29 GA

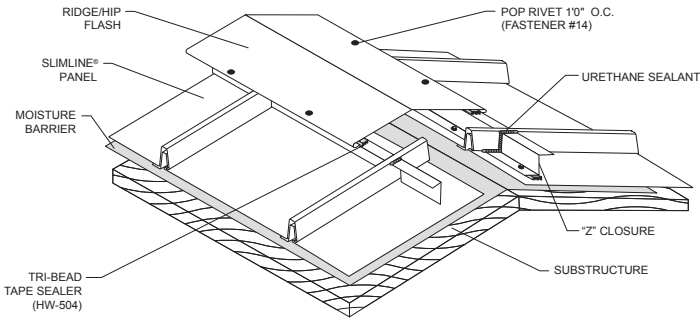
NOTE: Specify roof slope and if using for ridge or hip

NOTE: 4:12 pitch standard unless specified otherwise

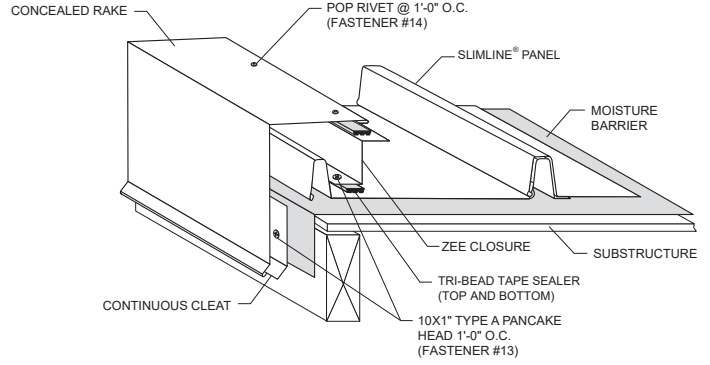
NOTE: Specify roof slope

NOTE: Specify roof slope - Specify open hem if using continuous cleat

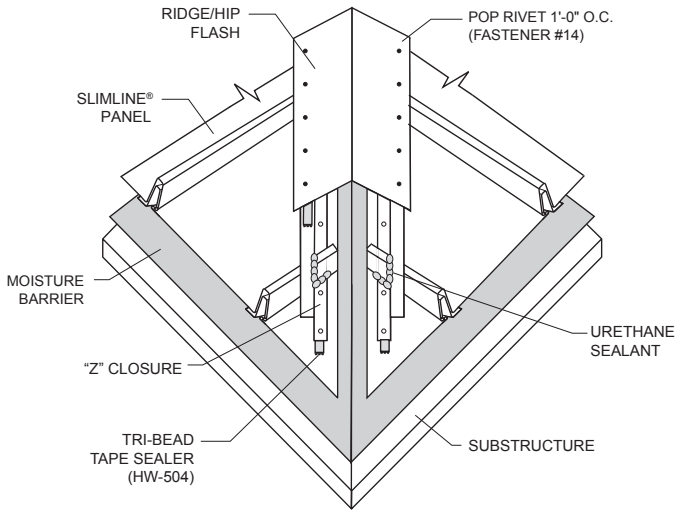
NOTE: Specify open hem if using continuous cleat



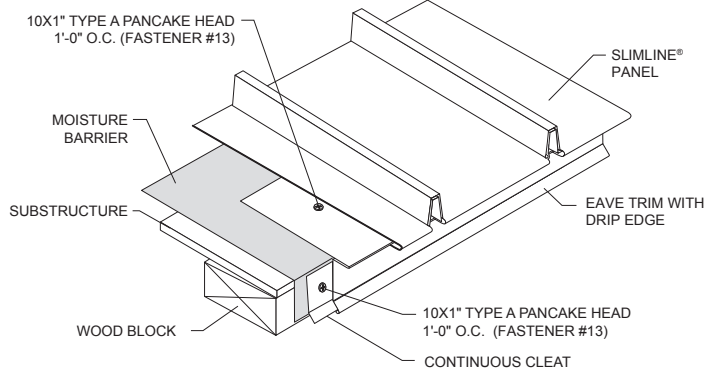
RIDGE



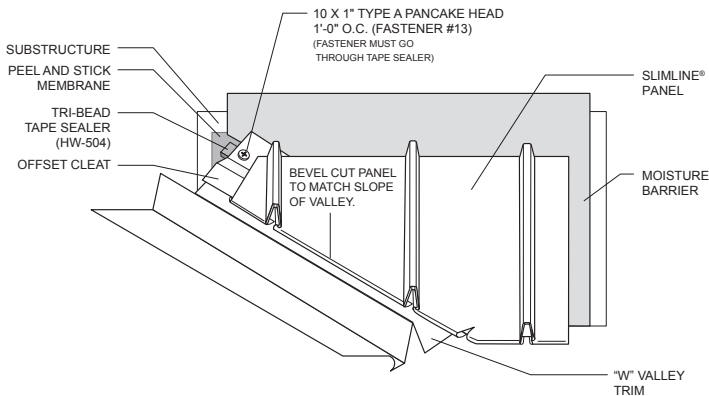
RAKE



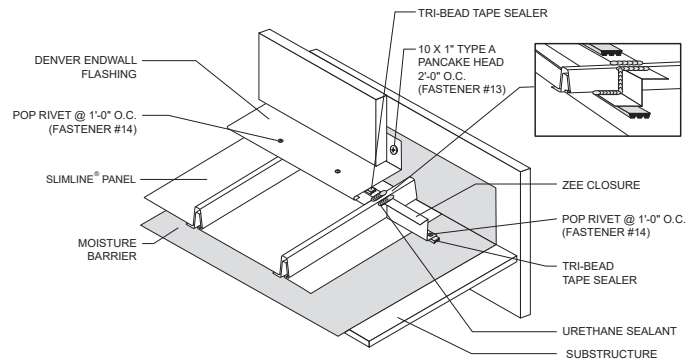
HIP



EAVE TRIM WITH DRIP EDGE



VALLEY



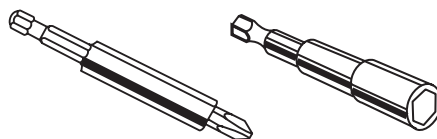
END WALL

Touch-Up Paint



PART #	TYPE	SIZE
HW-304	Signature® 200	2 oz.
HW-305	Signature® 300	2 oz.

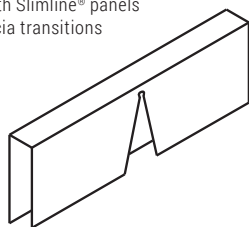
Magnetic Sockets



PART #	SIZE
HW-604	3/8" Hex Drive
HW-605	5/16" Hex Drive
HW-606	1/4" Hex Drive
HW-615	#2 Phillips insert with magnetic holder

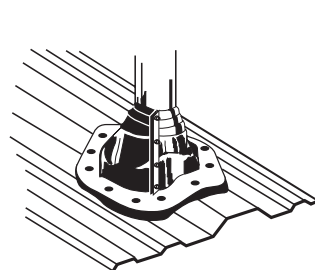
Cover

NOTE: Use with Slimline® panels at roof to fascia transitions



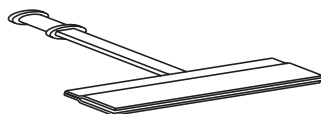
PART #	LENGTH	GAUGE
CF-119	4 1/8"	29
CF-119	4 1/8"	26

Rubber Roof Jack



PART #	TEMP. RANGE	PIPE SIZE	BASE DIM	WEIGHT EACH
HW-1000	-65°F to +212°F	1/4" - 2"	4 1/2"	.17#
HW-1001	-65°F to +212°F	1/4" - 5"	8"	.50#
HW-1002	-65°F to +212°F	4" - 7"	11"	.95#
HW-1003	-65°F to +212°F	6" - 11"	14"	1.55#
HW-1004	-65°F to +212°F	7" - 13"	17"	2.56#
HIGH TEMPERATURE				
HW-1046	-100°F to +437°F	1/4" - 5"	8"	.50#
HW-1047	-100°F to +437°F	4" - 7"	11"	.95#
HW-1048	-100°F to +437°F	7" - 13"	17"	2.56#
HW-1049	-100°F to +437°F	10" - 18"	25"	3.86#

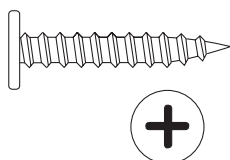
Panel Hemming Tool



PART #
HW-602

Fastener #13

250 Per Bag



PART #	HEAD SIZE	LENGTH
13	#2 Phillips	10 x 1'

Pop Rivet

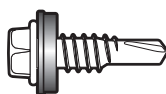
250 Per Bag | Stainless Steel



PART #	DIAMETER	GRIP RANGE
14	1/8"	3/16"

Self-Driller Lap Tek

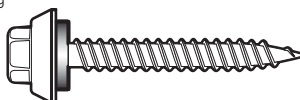
250 Per Bag



PART #	HEAD SIZE	LENGTH
4A	5/16"	14 x 7/8"

Long Life Wood Fastener

250 Per Bag



PART #	HEAD SIZE	LENGTH
9A	5/16"	10 x 1"

Tape Sealer

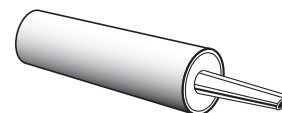
Tri-Bead



PART #	GENERAL	LENGTH
HW-504	7/8" x 3/16"	25'-0"

Tube Sealant

NOTE: 25' per tube at 1/4" bead



PART #	TYPE	COLOR
HW-548	Acrylic	White
HW-550	Acrylic	Gray
HW-540	Urethane	White
HW-541	Urethane	Gray
HW-542	Urethane	Bronze
HW-544	Urethane	Almond



Call or visit us online or in the store nearest you to meet with a project expert to learn more about our product offerings.

metaldepots.com

© 2023 Metal Depots, part of Cornerstone Building Brands, Inc. ALL RIGHTS RESERVED.

0905209991143/MS/0123

STAY IN TOUCH
facebook.com/metaldepots

