



# PRODUCT INFORMATION

The 5V Crimp roof panel offers an ideal old-time, residential appearance. 5V Crimp is also an aesthetically-pleasing solution for light commercial applications. The 5V Crimp panels require a solid roof deck with a waterproof membrane.

- Coverage Width – 24"
- Rib Spacing – 12" on center
- Rib Height – 1/2"
- Minimum Slope – 3:12
- Panel Attachment – Exposed Fastening System
- Gauge – 29 (Galvalume Plus® only); 26 (Optional)
- Finishes – Smooth (standard)
- Coatings – Galvalume Plus®, Signature® 200

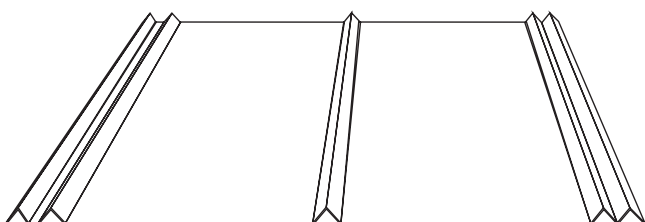
## 26-GAUGE COLORS



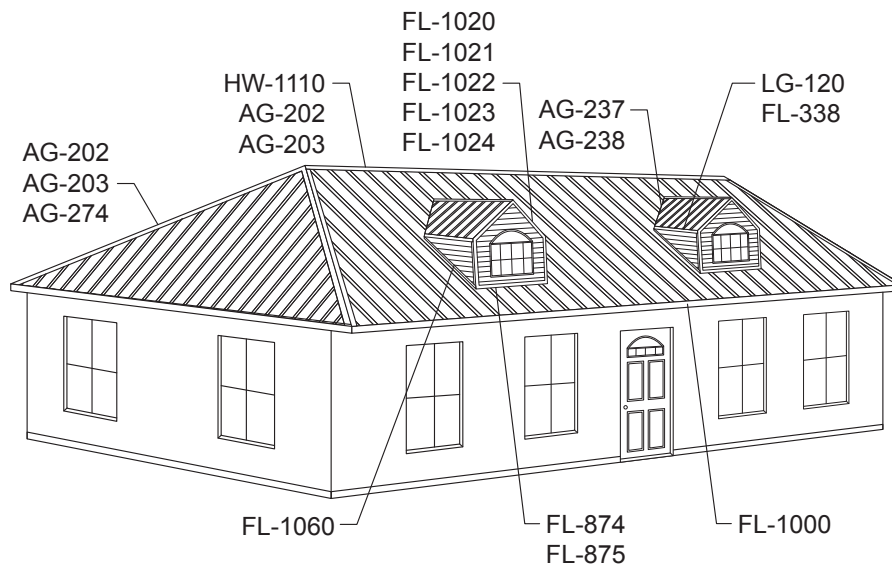
GALVALUME PLUS® ★

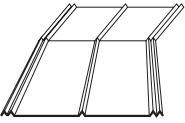
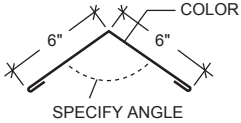
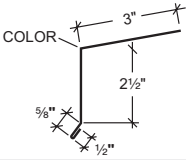
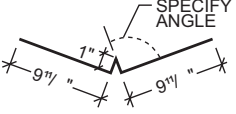
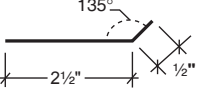
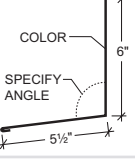
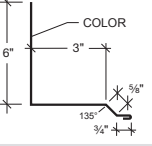
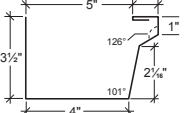
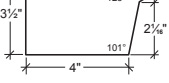
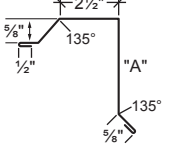
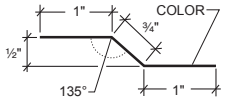
\* Only Galvalume Plus® available in 29-Gauge

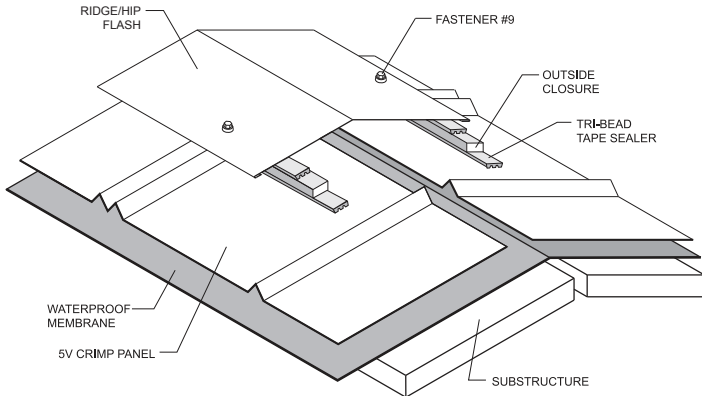
★ ENERGY STAR APPROVED THROUGH OUR PARTNER, MBCI



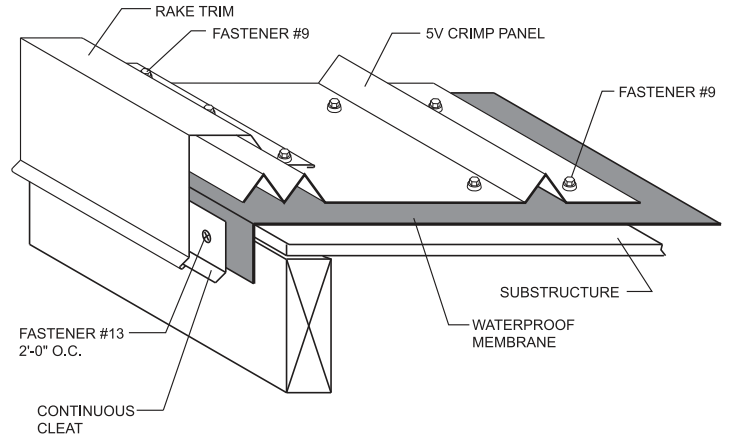
5V CRIMP



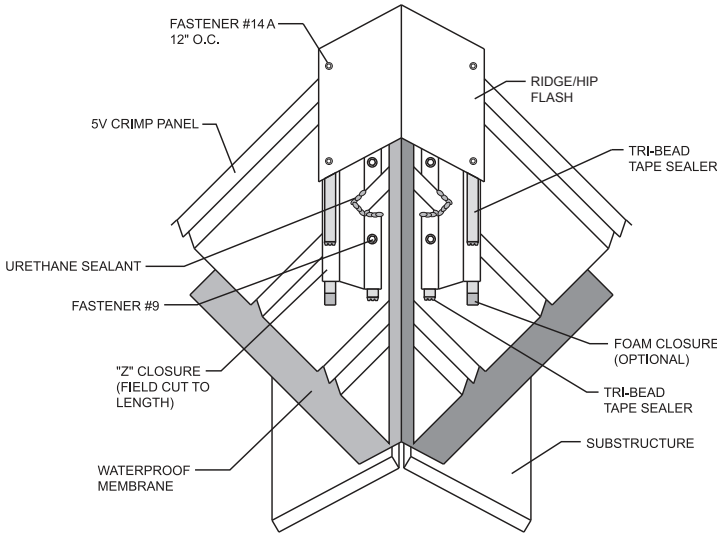
ITEM	PART #	SLOPE	DIM "A"	LENGTH	GIRTH	GAUGE
<b>Ridge Cap</b> 	HW-1110	1/4:12 - 9:12	N/A	1'-2"	N/A	29 GA
	HW-1110	1/4:12 - 9:12	N/A	1'-2"	N/A	26 GA
<b>NOTE: Specify roof slope</b>						
<b>Ridge/Hip Flash</b> 	AG-202		N/A	10' - 6"	13"	29 GA
	AG-202		N/A	10' - 2"	13"	26 GA
	AG-203		N/A	20' - 2"	13"	29 GA
	AG-203		N/A	20' - 2"	13"	26 GA
<b>NOTE: Specify roof slope or angle indicated on drawing</b>						
<b>Eave Trim</b> 	LG-120			10' - 6"	6 5/8"	29 GA
	<b>NOTE: Specify roof slope · Specify open hem if using continuous cleat</b>					
<b>Standard Valley</b> 	AG-237		N/A	10' - 2"	21 3/8"	26 GA
	AG-238		N/A	20' - 2"	21 3/8"	26 GA
<b>NOTE: Specify roof slope or angle indicated on drawing</b>						
<b>Continuous Cleat</b> 	FL-338		N/A	10' - 2"	3"	24 GA
<b>Parapet High Eave Trim</b> 	FL-874			10' - 2"	12"	26 GA
	FL-875			20' - 2"	12"	26 GA
<b>NOTE: Specify roof slope or angle indicated on drawing</b>						
<b>Parapet Rake</b> 	FL-1060		N/A	10' - 2"	10 7/8"	26 & 29 GA
<b>Gutter</b> 	FL-1000		N/A	10' - 2"	12 9/16"	24, 26 & 29 GA
<b>Gutter End</b> (right or left) 	FL-1001		N/A	N/A	N/A	24, 26 & 29 GA
<b>Rake</b> 	FL-1020	3-4:12	2 15/16"	10' - 2"	8 7/16"	26 & 29 GA
	FL-1021	5-6:12	2 13/16"	10' - 2"	8 5/16"	26 & 29 GA
	FL-1022	7:12	2 11/16"	10' - 2"	8 3/16"	26 & 29 GA
	FL-1023	8-9:12	2 9/16"	10' - 2"	8 1/16"	26 & 29 GA
	FL-1024	10:12	2 7/16"	10' - 2"	7 15/16"	26 & 29 GA
<b>'Z' Closure</b> 	AG-274		N/A	10' - 2"	2 3/4"	26 GA



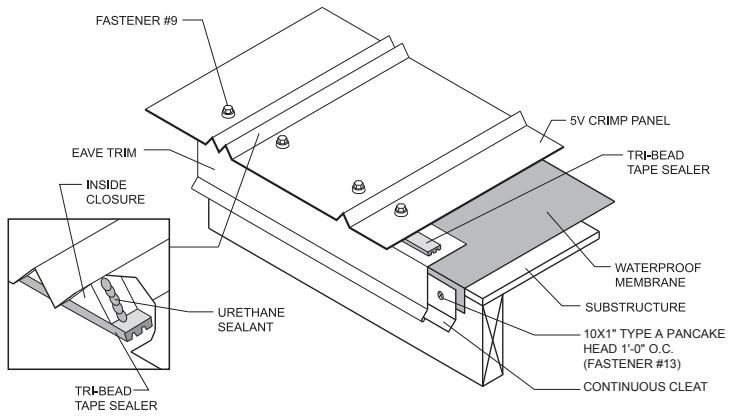
## RIDGE



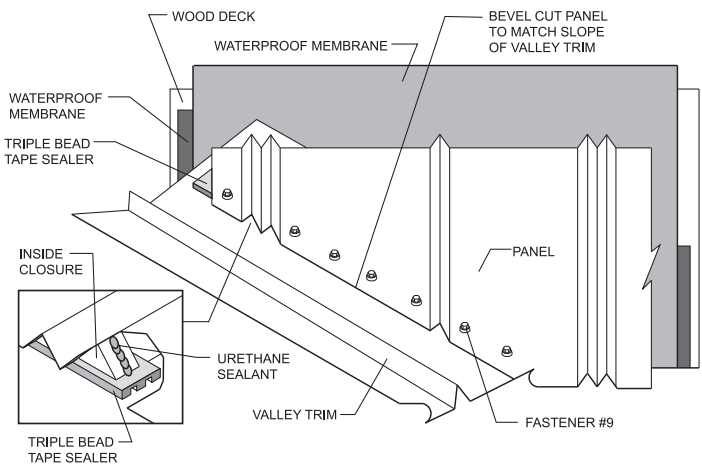
## RAKE



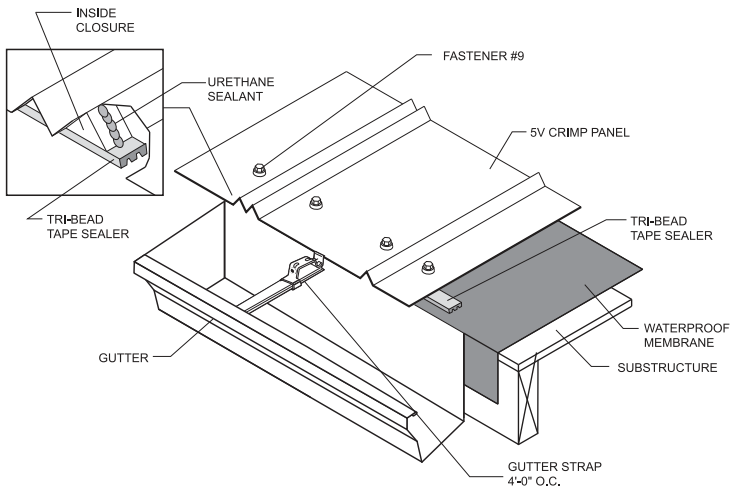
## HIP



## EAVE TRIM



## VALLEY



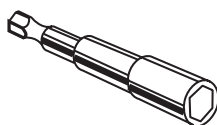
## GUTTER

## Touch-Up Paint



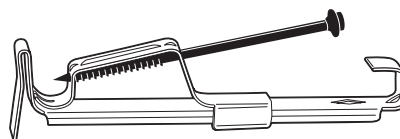
PART #	TYPE	SIZE
HW-304	Signature® 200	2 oz.
HW-305	Signature® 300	2 oz.

## Magnetic Sockets



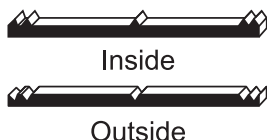
PART #	SIZE
HW-604	3/8" Hex Drive
HW-605	5/16" Hex Drive
HW-606	1/4" Hex Drive

## Gutter Hanger



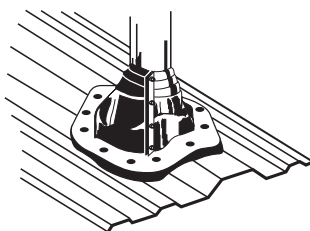
PART #
HW-339

## 5V Crimp Closure Strips



PART #	TYPE	ADHESIVE	SIZE
HW-450	Inside	No	1" x 24"
HW-452	Outside	Yes	1" x 24"

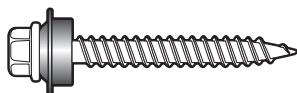
## Rubber Roof Jack



PART #	TEMP. RANGE	PIPE SIZE	BASE DIM	WEIGHT EACH
HW-1000	-65°F to +212°F	1/4" - 2"	4 1/2"	.17#
HW-1001	-65°F to +212°F	1/4" - 5"	8"	.50#
HW-1002	-65°F to +212°F	4" - 7"	11"	.95#
HW-1003	-65°F to +212°F	6" - 11"	14"	1.55#
HW-1004	-65°F to +212°F	7" - 13"	17"	2.56#
HIGH TEMPERATURE				
HW-1046	-100°F to +437°F	1/4" - 5"	8"	.50#
HW-1047	-100°F to +437°F	4" - 7"	11"	.95#
HW-1048	-100°F to +437°F	7" - 13"	17"	2.56#
HW-1049	-100°F to +437°F	10" - 18"	25"	3.86#

## Silver Sentri® Woodgrip Long Life Coated Fastener

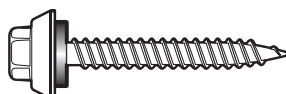
Panel to Solid Wood



\*Other sizes available. Please inquire.

PART #	LENGTH
8A	10 x 1"
8	10 x 1 1/2"
8B	10 x 2"
8C	10 x 2 1/2"

## Zac® Long Life Woodgrip Fastener



\*Other sizes available. Please inquire.

PART #	LENGTH
9A	10 x 1"
9	10 x 1 1/2"

## Pop Rivet

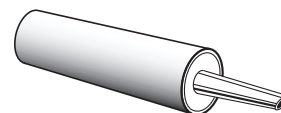
250 Per Bag | Stainless Steel



PART #	HEAD SIZE	LENGTH
14	5/16"	1/8" x 3/16"

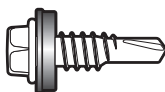
## Tube Sealant

NOTE: 25' per tube at 1/4" bead



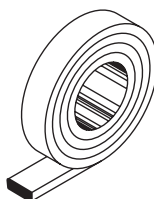
PART #	TYPE	COLOR
HW-548	Acrylic	White
HW-550	Acrylic	Gray
HW-540	Urethane	White
HW-541	Urethane	Gray
HW-542	Urethane	Bronze
HW-544	Urethane	Almond

## Self-Driller Lap Tek



PART #	HEAD SIZE	LENGTH
4A	5/16"	14 x 7/8"

## Tape Sealer



PART #	GENERAL	LENGTH
HW-502	2 1/2" x 3/16"	20'-0"
HW-504	7/8" x 3/16"	25'-0"



Call or visit us online or in the store nearest you to meet with a project expert to learn more about our product offerings.

www.metaldepots.com

© Metal Depots 2019, part of the Cornerstone Building Brands family. All Rights Reserved.

STAY IN TOUCH  
facebook.com/metaldepots

