



AMERICAN
BUILDING
COMPONENTS

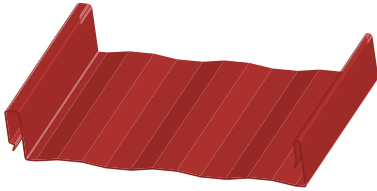
LokSeam[®]



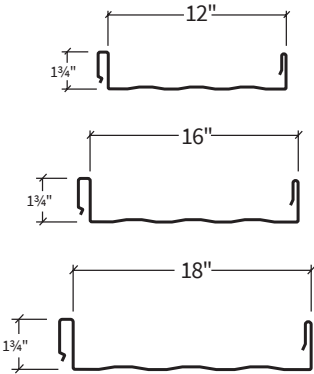


LokSeam®

One of the most versatile architectural metal panels available today, LokSeam® by ABC, is a snap-together, concealed fastener, standing seam roof system with a 1¾" tall vertical rib, for use on roofs with a minimum slope of 3:12. Available in 12-inch, 16-inch and 18-inch widths, LokSeam® panels can be installed over open framing or a solid substructure and are capable of transitioning from roof to fascia with the use of a rib cover and does not require a solid substructure for support.



Blending the aesthetics of an architectural panel with the strength of a structural panel, LokSeam® panels are formed from high-tensile strength steel and coated with our Signature Series, Cool Roof paint coatings providing durability, energy-efficiency, and confidence to any residential, light commercial or agricultural application.



PRODUCT SPECIFICATIONS

- Application:** Roof
- Coverage Widths:** 12", 16" and 18"
- Minimum Slope:** 3:12
- Panel Attachment:** Concealed Fastening System, Standard and UL 90 Clips
- Gauges:** 24 (standard); 22 (12", 16", 18") and 26 (12") (optional)
- Finishes:** Striated (standard); Embossed Striated (optional)
- Coatings:** Galvalume Plus®, Signature® 200, Signature® 300, Signature® 300 Metallic

Extreme Weather Protection

ABC's LokSeam standing seam roofing system provides industry-leading weather-tightness and protection from the elements. Through the use of available special clips the LokSeam roofing system can allow for thermal roof expansion and contraction even during extreme temperature changes. Through the use of a factory-applied sealant in the panel sidelaps, ABC's LokSeam system ensures a secure, weather-tight lap, whether it is a snap-together system or a field-seamed system.

Tested

To ensure that ABC's standing seam roof system is everything needed in a residential, light commercial or agricultural roof; we are constantly testing for reliability and weatherability over different structural framing systems such as purlins, bar joists, metal deck and plywood. As a result, ABC's LokSeam roofing system carries Underwriters Laboratories Fire Resistance, UL 90 Wind Uplift ratings and ASTM E1592 Structural Performance Uplift certifications. This diligence provides customers with a product that not only enhances a buildings performance but may also provide potential insurance discounts.

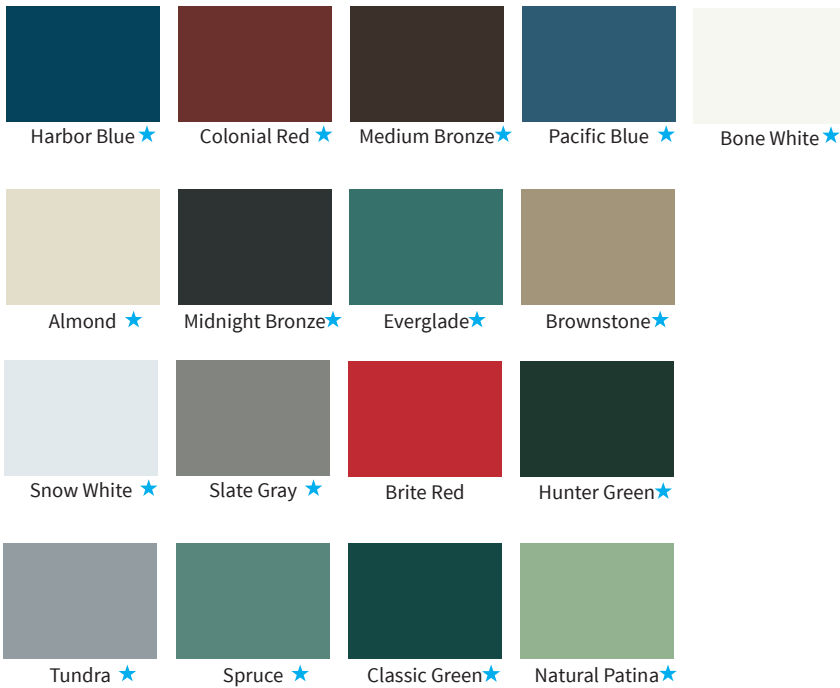
Efficient, Recyclable

ABC's metal roofs are energy efficient, recyclable, durable, lightweight and cost effective alternative to traditional roofing materials and are made of 25-35 percent recycled materials and virtually 100 percent recyclable. As a proud ENERGY STAR® Partner, many of our Cool Roof colors have reflectivity performance levels that meet ENERGY STAR® criteria for roof pitches greater than 2:12. In addition to potential energy savings, ABC products may help your project achieve LEED points.



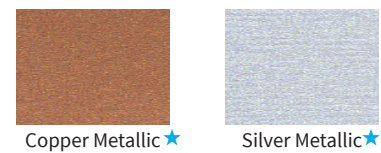
SIGNATURE® 300 Standard Colors

KYNAR 500®, HYLAR 5000®, LOW GLOSS



SIGNATURE® 300 Metallic

KYNAR 500®, HYLAR 5000®, LOW GLOSS



Note: Metallic coatings are directional. Panels and trim must be installed oriented in the same direction to prevent perceived shade variances.

SIGNATURE® 200 Standard Colors

SILICONIZED POLYESTER
Polar White is a Straight Polyester



★ ENERGY STAR® Qualified

- All products available in smooth or embossed finish.
- Heavier gauges, narrower widths, striations and embossing minimize “oil canning.”
- All Signature® 300 and 300 Metallic are low gloss colors.
- A 40-year limited paint warranty available for all colors upon written request, except for Polar White, Copper Metallic and Silver Metallic, in which case the warranty term is 25-years. (Outside the continental United States, please inquire).

Warranties

Signature 300

Film Integrity	40 year
Chalk/Fade	30 year

Signature 200

Film Integrity	40 year
Chalk/Fade	30 year

Signature is a registered trademark of the NCI group, Inc.

For complete performance specifications, product limitations and disclaimers, please consult ABC's Paint and Galvalume Plus® warranties. Upon receipt of payment in full, these warranties are available upon request for all painted or Galvalume Plus®, prime products. Sample copies can be found at www.abcmetal.com or contact your local Sales Representative.

Why Choose ABC?

ABC is one of the largest manufacturers of metal roof and wall panels in North America. Founded in 1908, our history in the industry has allowed us to establish a stronghold and provide customers with exceptional warranties and product and technical expertise. ABC offers complete roofing systems, including customized flashing, color-matched trim and fasteners, which provides a sleek, polished appearance for your roof.

Dedicated Customer Service

Whether you are in the market for metal roofing, siding, building accessories, or simply need an estimation for your project, our customer service is second to none.

Have a question and need a solution fast? We want to help your vision come to life. Give us a call and discover the ABC difference.





ABCMetalRoofing.com
shop@abcmetalroofing.com
Adel, GA 877.595.6604
Frankfort, KY 877.780.2119
Lubbock, TX 877.695.0477
Memphis, TN 877.774.0157
Mt. Pleasant, IA 877.768.9460
Oklahoma City, OK 877.795.4399
Phoenix, AZ 877.774.6219
Rome, NY 877.785.0821
Salt Lake City, UT 877.814.1419

The Engineering data contained herein is for the expressed use of customers and design professionals. Along with this data, it is recommended that the design professional have a copy of the most current version of the North American Specification for the Design of Cold-Formed Steel Structural Members published by the American Iron and Steel Institute to facilitate design. This Specification contains the design criteria for cold-formed steel components. Along with the Specification, the designer should reference the most current building code applicable to the project job site in order to determine environmental loads. If further information or guidance regarding cold-formed design practices is desired, please contact the manufacturer. Imperial Rib®, Regal Rib®, Rugged Rib®, Monarch Rib®, Ameri-Drain®, 7/8" Wide Rib®, Perma Clad®, Perma Clad® II and SL-16® are registered trademarks of American Building Components. Galvalume® is a registered trademark of BIEC International, Inc.